

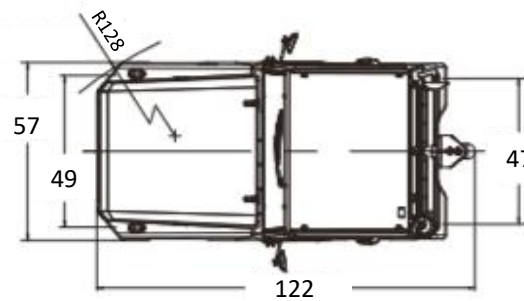
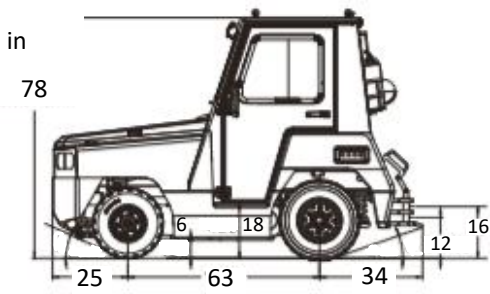


Gasoline Baggage Tractor

XT560G



Managed Maintenance Program:



Features & Benefits

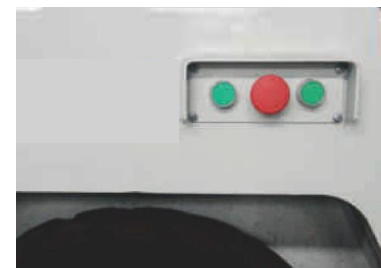
- Hydraulic steering
- Front and rear towing couplers with cab control
- Standard cab enclosure with windshield and wiper kit
- Digital controller with self-diagnosis function
- Vacuum assist hydraulic breaks
- Complete telematics for remote diagnostics real-time notification and pre/post start



LED controller with EMC and water-dust prevention.



Onboard telematics with compliance and access control.



Micro-switch for micro adjustment with high efficiency.



Avro GSE
628 Henderson Drive, Regina
Saskatchewan, Canada, S4N 5X3

(306) 988-1678

avrogse.com



Gasoline Baggage Tractor

SPECIFICATIONS

MODEL	XT560G
POWER TYPE	GASOLINE
RATED TRACTION WEIGHT	32,000kg
SERVICE WEIGHT	9921 lb (4500kg)

DIMENSION PARAMETER

SIZE (LENGTH X WIDTH X HEIGHT)	122" (3090mm) x 57" (1450mm) x 78" (2000mm)
WHEELBASE	63" (1600mm)
TOWING COUPLERS HEIGHTS	12" (305mm)
GROUND CLEARANCE	6" (150mm)
TURNING RADIUS	116" (2950mm)

TIRE

FRONT, REAR	6.50-10-10PR, 7.00-12-12PR
-------------	----------------------------

PERFORMANCE PARAMETER

TRAVEL (LOADED/UNLOADED)	L: 15km/h, U: 35km/h
FRONT AXLE LOAD	2640lb (1200kg)
REAR AXLE LOAD	6820lb (3100kg)
MAX DRAWBAR PULL	5600lb (25kN)

MOTOR

ENGINE MODEL	PSI 2.4
DISPLACEMENT	CC 2967
RATED POWER Kw/rpm	49.8/2800
RATED TORQUE N-m/rpm	169.7/2400

TRANSMISSION

MODEL	OKAMURA Y43290	
SHIFT MODEL	AUTO 2 SHIFTS	
GEAR RATIO	FRONT 2	3:07 ; 2:13
	REAR 1	2.4
DRIVE AXEL RATIO	6.67	

CONFIGURATION OPTIONS

HEAT	OPTIONAL
AIR	OPTIONAL
CAB	OPEN, FULLY ENCLOSED
AVRO TRACKER	LEVEL 3 AVRO TRACKER INCLUDED
AVRO CARE	1 YEAR SUBSCRIPTION INCLUDED, FURTHER YEARS OPTIONAL

