
2.4L ENGINE PARTS BOOK

Engine Model: MMC 2.4L
Engine Family: PSI, Industrial
Engine Spec N.: 39004152
Parts Book Revision: August, 2016

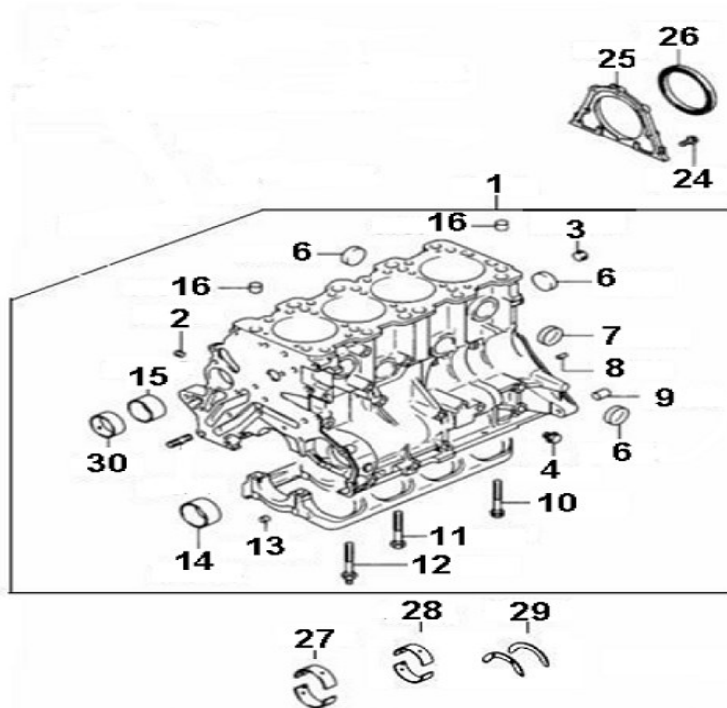
TABLE OF CONTENTS

SECTION	PAGE
CYLINDER BLOCK.....	4-5
ROCKER COVER.....	6
CYLINDER HEAD.....	7
FRONT COVER AND OIL PAN.....	8-9
PISTON AND CRANKSHAFT.....	10
CAMSHAFT AND VALVE.....	11-12
BALANCER.....	13
OIL PUMP.....	14-15
WATER PUMP.....	16
THERMOSTAT.....	17
INTAKE MANIFOLD.....	18
EXHAUST MANIFOLD.....	19
SPARK PLUG.....	20
PS PUMP BRACKET.....	21
PTO CHAIN.....	22
SIDE PTO.....	23-24
TRANSMISSION ADAPTER.....	25
IGNITION.....	26
STARTER.....	27
HI FAN.....	28-29
ELECTRICAL.....	30
ECU MOUNT.....	31

TABLE OF CONTENTS CONT.

SECTION	PAGE
OIL FILTER ADAPTER.....	32
DIPSTICK AND TUBE	33
PCV FOUL HOSE	34
VAPORIZER	35
FUEL LINES	36
THROTTLE BODY.....	37
DSR COOLANT	38
COOLANT.....	39
EXHAUST MANIFOLD	40
FUEL RAIL.....	41
PCV FRESH HOSE	42
INTAKE MANIFOLD	43
ENGINE MOUNTS.....	44
EPR.....	45
DUEL FUEL	46
LOCK OFF VALVE	47
CATALYST	48

CYLINDER BLOCK



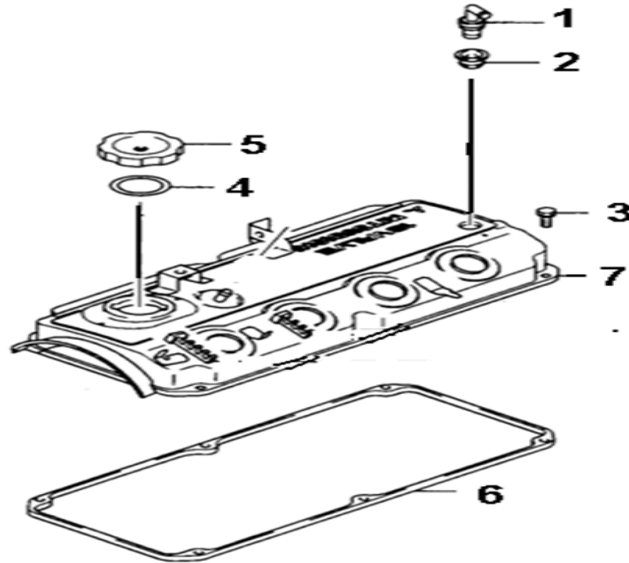
POS.	PART NUMBER	DESCRIPTION	QTY	NOTES
1	800106	CYLINDER BLOCK ASSEMBLY	1	
2	800310	TAPER PLUG	2	
3	800311	TAPER PLUG	1	
4	800312	PLUG	1	
5	800316	SEALING CAP	7	
6	800317	SEALING CAP	2	
7	800314	DOWEL PIN	2	
8	800318	KNOCK BUSHING	2	
9	800323	BEARING CAP BOLT	2	
10	800321	BEARING CAP BOLT	7	
11	800322	BEARING CAP BOLT	1	
12	800309	BUSHING	2	
13	800335	BALANCER BEARING STD	1	
14	800336	BALANCER BEARING OVERSIZE (1.0)	1	
14	800337	BALANCER BEARING STD	1	
15	800338	BALANCER BEARING OVERSIZE (1.0)	1	
16	800320	KNOCK BUSHING	2	

SPEC N. : 39004152
 REV. DATE : 08AUG16

CYLINDER BLOCK CONT.

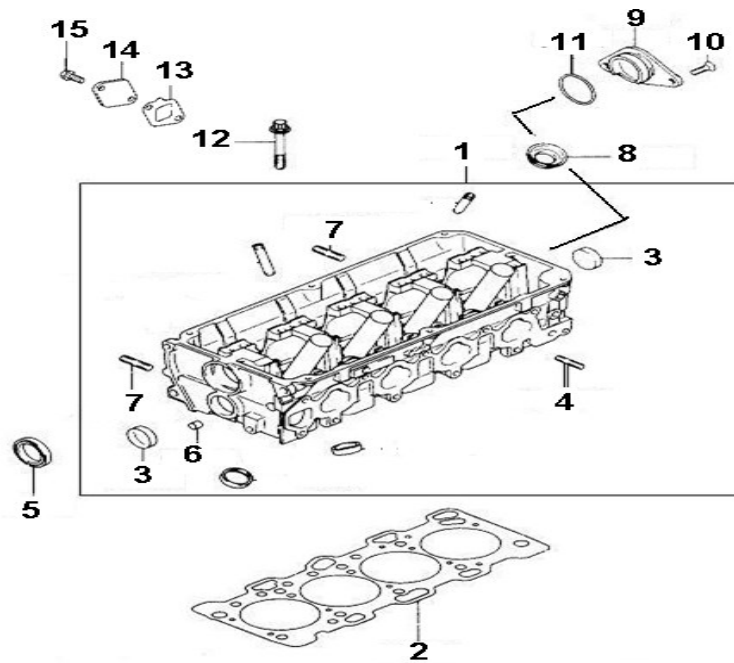
POS.	PART NUMBER	DESCRIPTION	QTY	NOTES
24	800109	FLANGE BOLT	5	
25	800107	REAR OIL SEAL CASE	1	
26	800108	OIL SEAL	1	
27	800324	CRANKSHAFT BEARING (1,2,4,5,) GREEN STD	4	
27	800325	CRANKSHAFT BEARING (1,2,4,5,) YELLOW STD	4	
27	800326	CRANKSHAFT BEARING (1,2,4,5,) NO COLOR STD	4	
27	800327	CRANKSHAFT BEARING (1,2,4,5,) BLUE STD	4	
27	800328	CRANKSHAFT BEARING (1,2,4,5,) RED STD	4	
28	800330	CRANKSHAFT BEARING (3) GREEN STD	1	
28	800331	CRANKSHAFT BEARING (3) YELLOW STD	1	
28	800332	CRANKSHAFT BEARING (3) NO COLOR STD	1	
28	800333	CRANKSHAFT BEARING (3) BLUE STD	1	
28	800334	CRANKSHAFT BEARING (3) BLACK STD	1	
29	800329	CRANKSHAFT THRUST BEARING	1	
30	800342	BALANCER SHAFT BEARING STD	1	
30	800343	BALANCER SHAFT BEARING OVRSZ	1	

ROCKER COVER



POS.	PART NUMBER	DESCRIPTION	QTY	NOTES
1	800154	PCV VALVE	1	
2	32502311	PCV VALVE GROMMET	1	
3	800155	ROCKER COVER BOLT	6	
4	NSS	OIL FILLER CAP GASKET (PART OF 800156)	1	
5	800156	OIL FILLER CAP	1	
6	800301	ROCKER COVER GASKET	1	
7	800152	ROCKER COVER ASSMBLY	1	
	NSS =	NOT SOLD SEPERATELY		

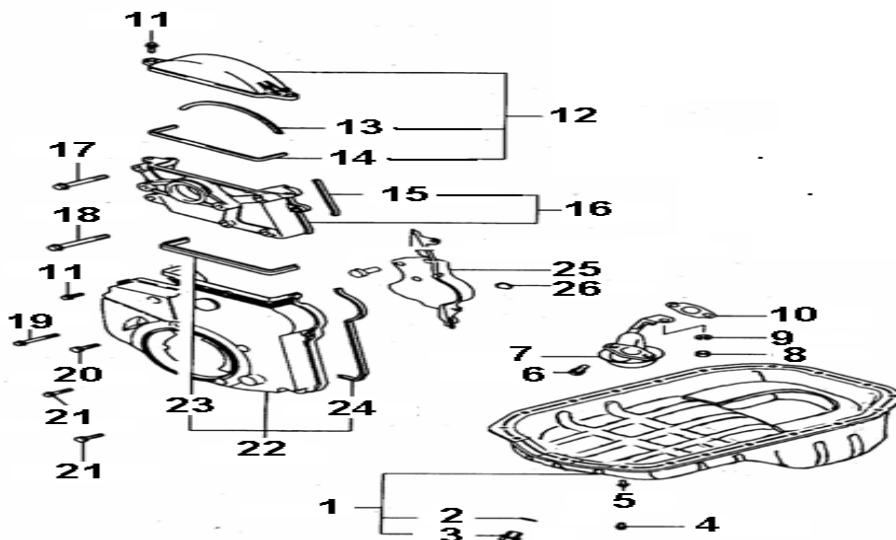
CYLINDER HEAD



POS.	PART NUMBER	DESCRIPTION	QTY	NOTES
1	801003	CYLINDER HEAD ASSEMBLY	1	
2	800158	CYLINDER HEAD GASKET	1	
3	800308	SEALING CAP	2	
4	800139	STUD	3	
5	800145	OIL SEAL	1	
6	800309	KNOCK BUSHING	2	
7	800306	STUD	2	
8	800143	OIL SEAL	4	
9	800144	THRUST CASE	1	
10	800149	SCREW	2	
11	800307	O-RING	1	
12	800150	CYLINDER HEAD BOLT ASSY	10	
13	800146	GASKET	1	
14	800147	COVER	1	
15	800148	FLANGE BOLT	2	

SPEC N. : 39004152
 REV. DATE : 08AUG16

FRONT COVER AND OIL PAN



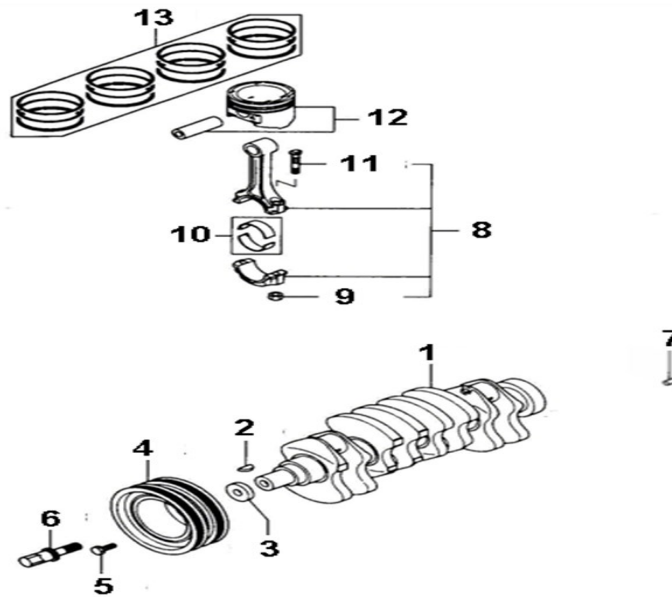
POS.	PART NUMBER	DESCRIPTION	QTY	NOTES
1	800123	OIL PAN	1	
2	800345	OIL DRAIN PLUG GASKET	1	
3	800344	OIL DRAIN PLUG	1	
4	800124	FLANGE BOLT	17	
5	800125	FLANGE BOLT	2	
6	800290	WAHSER BOLT	2	
7	800286	OIL SCREEN	1	
8	800288	STRAINER NUT	1	
9	800289	STRAINER WASHER	1	
10	800287	SCREEN GASKET	1	
11	800132	FLANGE BOLT	8	
12	800131	T-BELT FR UPPR COVER ASSY	1	
13	NSS	TIMING BELT COVER GASKET (PART OF 800131)	1	
14	NSS	TIMING BELT COVER GASKET (PART OF 800131)	1	
15	NSS	TIMING BELT COVER GASKET (PART OF 800297)	1	
	NSS =	NOT SOLD SEPERATELY		

SPEC N. : 39004152
 REV. DATE : 08AUG16

FRONT COVER AND OIL PAN CONT.

POS.	PART NUMBER	DESCRIPTION	QTY	NOTES
16	800297	IGNITION COIL BRACKET ASSY	1	
17	800249	FLANGE BOLT	3	
18	800299	FLANGE BOLT	1	
19	800134	FLANGE BOLT	1	
20	800135	BOLT	2	
21	800133	BOLT	2	
22	800127	T-BELT FRONT LOWER COVER	1	
23	NSS	T-BELT COVER LOWER GASKET (PART OF 800127)	1	
24	NSS	T-BELT COVER GASKET (PART OF 800127)	1	
25	800130	T-BELT REAR COVER	1	
26	800128	RUBBER PLUG	1	
	NSS =	NOT SOLD SEPERATELY		

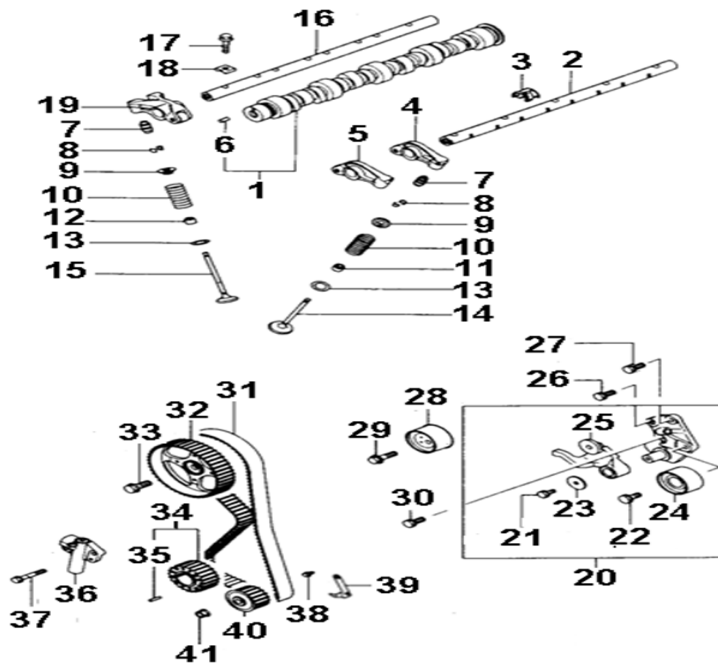
PISTON AND CRANKSHAFT



POS.	PART NUMBER	DESCRIPTION	QTY	NOTES
1	800173	CRANKSHAFT ASSY	1	
2	800174	KEY	1	
3	800177	SPECIAL WASHER	1	
4	800175	TORSIONAL DAMPER PULLEY ASSY	1	
5	800178	WASHER BOLT	4	
6	800176	CRANKSPROCKET BOLT	1	
7	800171	DOWEL PIN	1	
8	800167	CONNECTING ROD ASSY	4	
9	800356	NUT	8	
10	800353	CONNECTING ROD BEARING YELLOW STD	4	
10	800354	CONNECTING ROD BEARING NO COLOR STD	4	
10	800355	CONNECTING ROD BEARING BLUE STD	4	
11	800352	CONNECTING BOLT	8	
12	800163	PISTON WITH PIN STD A	4	
12	800164	PISTON WITH PIN STD B	4	
12	800165	PISTON WITH PIN STD C	4	
13	800358	PISTON RING SET	1	

SPEC N. : 39004152
 REV. DATE : 08AUG16

CAMSHAFT AND VALVE



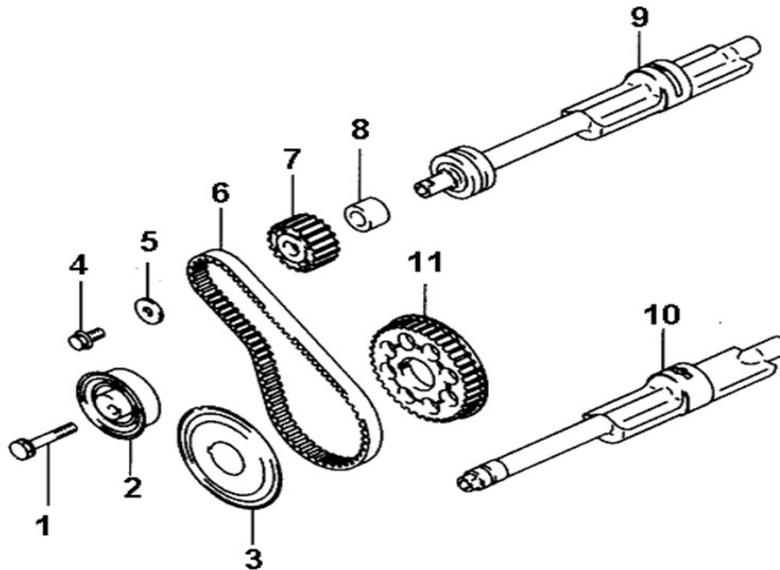
POS.	PART NUMBER	DESCRIPTION	QTY	NOTES
1	34000112	CAMSHAFT ASSEMBLY	1	
2	800226	ROCKER ARM SHAFT	1	
3	800369	ROCKER SHAFT SPRING	4	
4	800221	ROCKER ARM ASSEMBLY B	4	
5	800220	ROCKER ARM ASSEMBLY A	4	
6	800363	DOWEL PIN	1	
7	800211	LASH ADJUSTER ASSY	16	
8	800367	VALVE SPRING RETAINER LOCK	32	
9	800370	VALVE SPRING RETAINER	16	
10	800215	VALVE SPRING	16	
11	800219	VALVE STEM SEAL	8	
12	800219	VALVE STEM SEAL	8	
13	800217	VALVE SPRING SEAT	16	
14	800213	INLET VALVE	8	
15	800366	EXHAUST VALVE	8	
16	800225	ROCKER ARM SHAFT	1	
17	800224	FLANGE BOLT	13	
18	800227	ROCKER SHAFT CAP	13	
19	800222	ROCKER ARM ASSEMBLY C	4	
20	800202	TENSIONER PULLEY BRACKET	1	

SPEC N. : 39004152
 REV. DATE : 08AUG16

CAMSHAFT AND VALVE CONT.

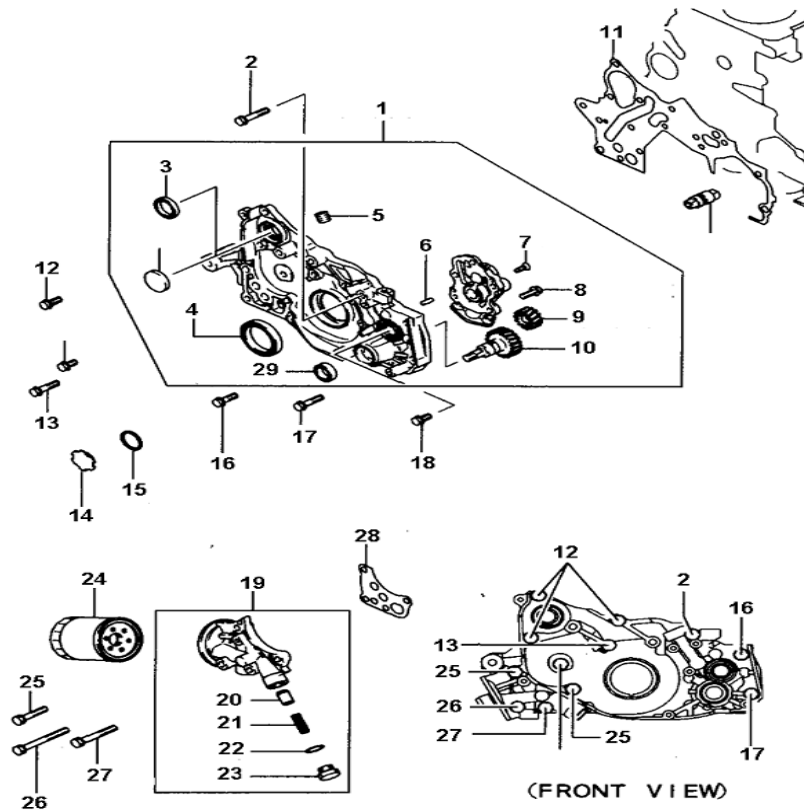
POS.	PART NUMBER	DESCRIPTION	QTY	NOTES
21	800368	BOLT	1	
22	800208	BOLT	1	
23	800364	WASHER	1	
24	800360	IDLER PULLEY	1	
25	NSS	TENSIONER ARM ASSY (PART OF 800202)	1	
26	800194	SEAL BOLT	1	
27	800210	WASHER BOLT	1	
28	800203	TENSIONER PULLEY	1	
29	800209	WASHER BOLT	1	
30	800208	WASHER BOLT	1	
31	32001070	TIMING BELT	1	
32	800362	CAMSHAFT SPROCKET	1	
33	800201	FLANGE BOLT	1	
34	800197	CRANKSHAFT SPROCKET ASSY	1	
35	800365	SPRING PIN	1	
36	800204	TENSIONER	1	
37	800205	FLANGE BOLT	2	
38	800125	FLANGE BOLT	2	
39	800193	TIMING INDICATOR BRACKET	1	
40	800198	OIL PUMP SPROCKET	1	
41	800206	NUT	1	
	NSS =	NOT SOLD SEPERATELY		

BALANCER



POS.	PART NUMBER	DESCRIPTION	QTY	NOTES
1	800191	BALANCER BELT TRAIN BOLT	1	
2	800189	TIMING BELT TENSIONER	1	
3	800186	CRANKSHAFT SPROCKET FLANGE	1	
4	800183	BALANCER BELT TRAIN BOLT	1	
5	800190	BALANCER BELT TRAIN WASHER	1	
6	32001071	TIMING BELT	1	
7	800185	BALANCER SHAFT SPROCKET	1	
8	800187	BALANCER BELT TRAIN SPACER	1	
9	800374	BALANCER RIGHT SHAFT	1	
10	800372	BALANCER LEFT SHAFT	1	
11	800184	CRANKSHAFT SPROCKET	1	

OIL PUMP



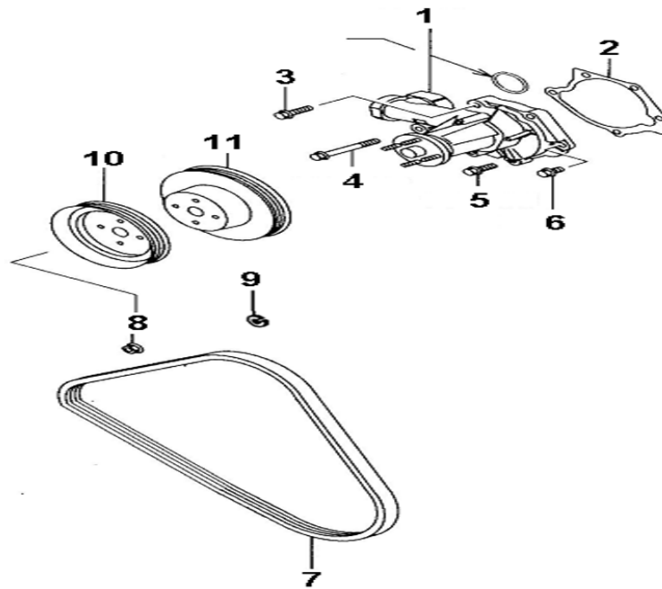
POS.	PART NUMBER	DESCRIPTION	QTY	NOTES
1	800276	OIL PUMP	1	
2	800263	FLANGE BOLT	1	
3	800377	OIL SEAL	1	
4	800376	OIL SEAL	1	
5	800382	PLUG TAPPER	1	
6	800314	DOWEL PIN	2	
7	800381	SCREW	1	
8	800231	FLANGE BOLT	4	
9	NSS	OIL PUMP GEAR (PART OF 800276)	1	
10	NSS	OIL PUMP DRIVE GEAR (PART OF 800276)	1	
	NSS =	NOT SOLD SEPERATELY		

SPEC N. : 39004152
 REV. DATE : 08AUG16

OIL PUMP CONT.

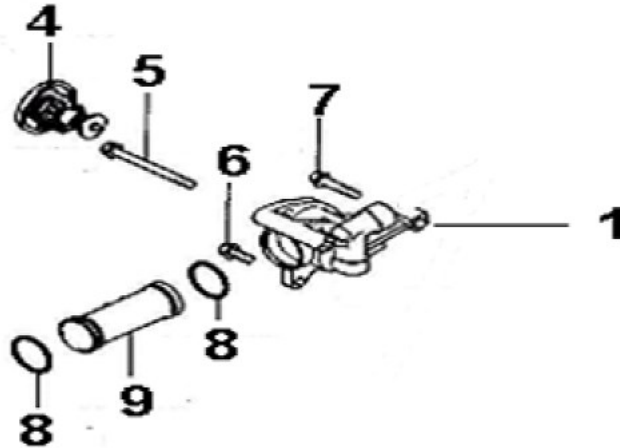
POS.	PART NUMBER	DESCRIPTION	QTY	NOTES
1	800276	OIL PUMP	1	
2	800263	FLANGE BOLT	1	
3	800377	OIL SEAL	1	
4	800376	OIL SEAL	1	
5	800382	PLUG TAPPER	1	
6	800314	DOWEL PIN	2	
7	800381	SCREW	1	
8	800231	FLANGE BOLT	4	
9	NSS	OIL PUMP GEAR (PART OF 800276)	1	
10	NSS	OIL PUMP DRIVE GEAR (PART OF 800276)	1	
11	800277	FRONT CASE GASKET	1	
12	800261	WASHER BOLT	3	
13	800284	WASHER BOLT	1	
14	800279	PLUG CAP	1	
15	800278	O-RING	1	
16	800262	FLANGE BOLT	1	
17	800282	FLANGE BOLT	1	
18	800183	FLANGE BOLT	1	
19	800292	OIL FILTER BRACKET	1	
20	800386	PLUNGER	1	
21	800387	SPRING	1	
22	800385	GASKET	1	
23	800384	PLUG	1	
24	801002	OIL FILTER	1	
25	800294	BOLT	2	
26	800296	BOLT	1	
27	800295	BOLT	1	
29	800380	OIL SEAL	1	
	NSS =	NOT SOLD SEPERATELY		

WATER PUMP



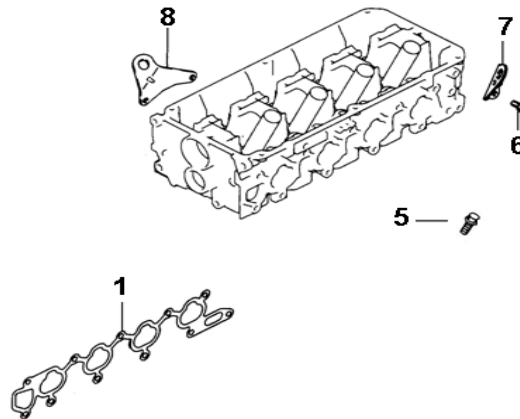
POS.	PART NUMBER	DESCRIPTION	QTY	NOTES
1	800244	WATER PUMP	1	
2	800245	WATER PUMP GASKET	1	
3	800248	FLANGE BOLT	1	
4	800249	FLANGE BOLT	1	
5	800238	FLANGE BOLT	2	
6	800246	FLANGE BOLT	1	
7	800271	V RIBBED BELT	1	
8	800269	FLANGE NUT	4	
9	800270	SPRING WASHER	4	
10	800268	WATER PUMP PULLEY P/S	1	
11	800267	WATER PUMP PULLEY	1	

THERMOSTAT



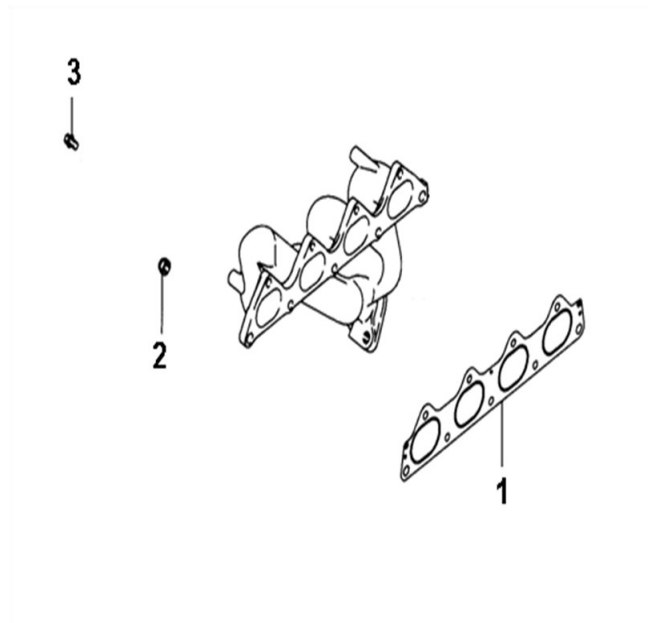
POS.	PART NUMBER	DESCRIPTION	QTY	NOTES
1	800251	THERMOSTAT CASE	1	
4	800265	THERMOSTAT	1	
5	800264	WATER LINE BOLT	1	
6	800261	WATER LINE BOLT	1	
7	800263	WATER LINE BOLT	1	
8	800389	WATER LINE O-RING	2	
9	800255	WATER PUMP INLET	1	

INTAKE MANIFOLD AND GASKET



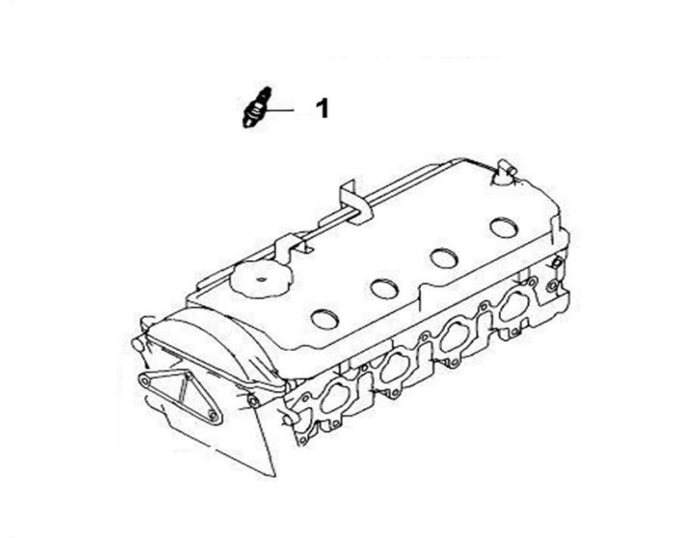
POS.	PART NUMBER	DESCRIPTION	QTY	NOTES
1	800228	INTAKE MANIFLOD GASKET	1	
5	800238	FLANGE BOLT	2	
6	800240	INLET MANIFLOD BOLT	1	
7	800239	ENGINE HANGER	1	
8	800037	ENGINE HANGER	1	

EXHAUST MANIFOLD



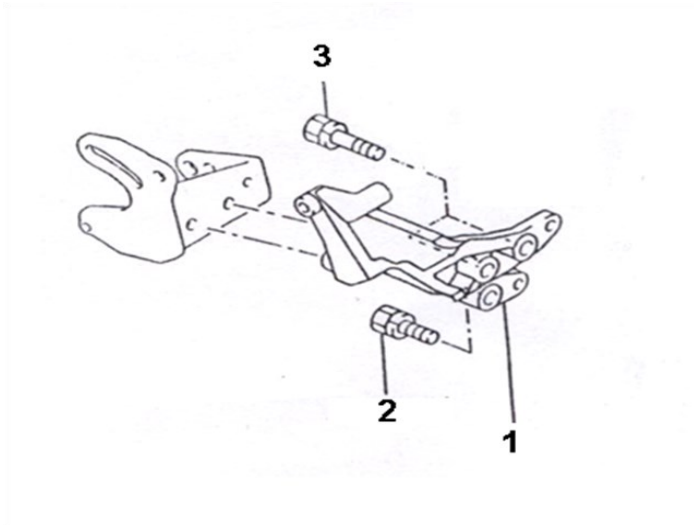
POS.	PART NUMBER	DESCRIPTION	QTY	NOTES
1	800233	EXHAUST MANIFOLD GASKET	1	
2	800392	FLANGE NUT	2	
3	800148	FLANGE BOLT	2	

SPARK PLUG



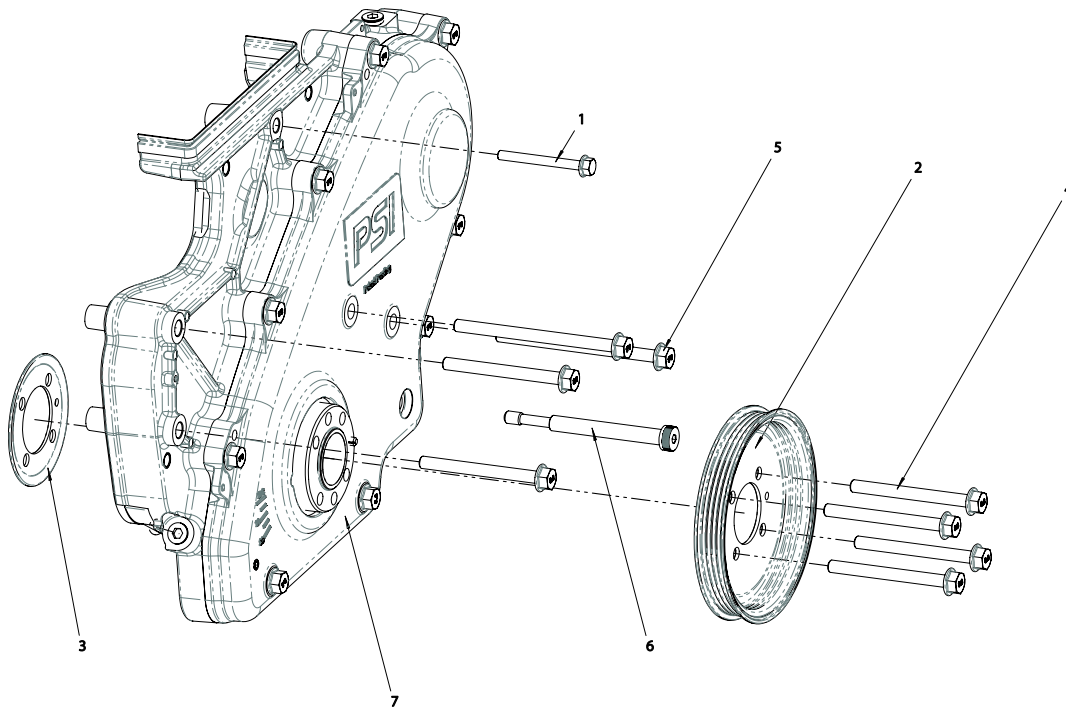
POS.	PART NUMBER	DESCRIPTION	QTY	NOTES
1	801001	SPARK PLUG	4	

PS PUMP BRACKET



POS.	PART NUMBER	DESCRIPTION	QTY	NOTES
1	800272	PUMP MOUNT BRACKET	1	
2	800273	WASHER BOLT	1	
3	800274	WASHER BOLT	2	

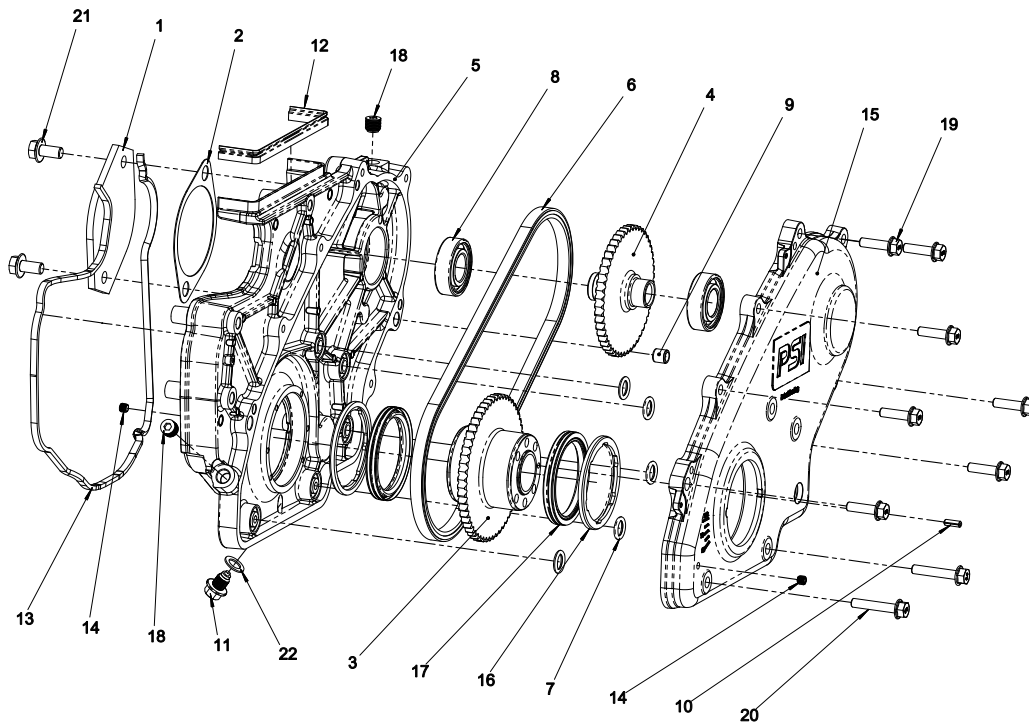
PTO CHAIN



38020119-01

POS.	PART NUMBER	DESCRIPTION	QTY	NOTES
1	35001089	BOLT	1	
2	31500148	CRANK PULLEY	1	
3	31500149	FLANGE	1	
4	35001090	BOLT	6	
5	35001091	BOLT	2	
6	35001092	BOLT	1	
7	38020120	SIDE PTO	1	

SIDE PTO



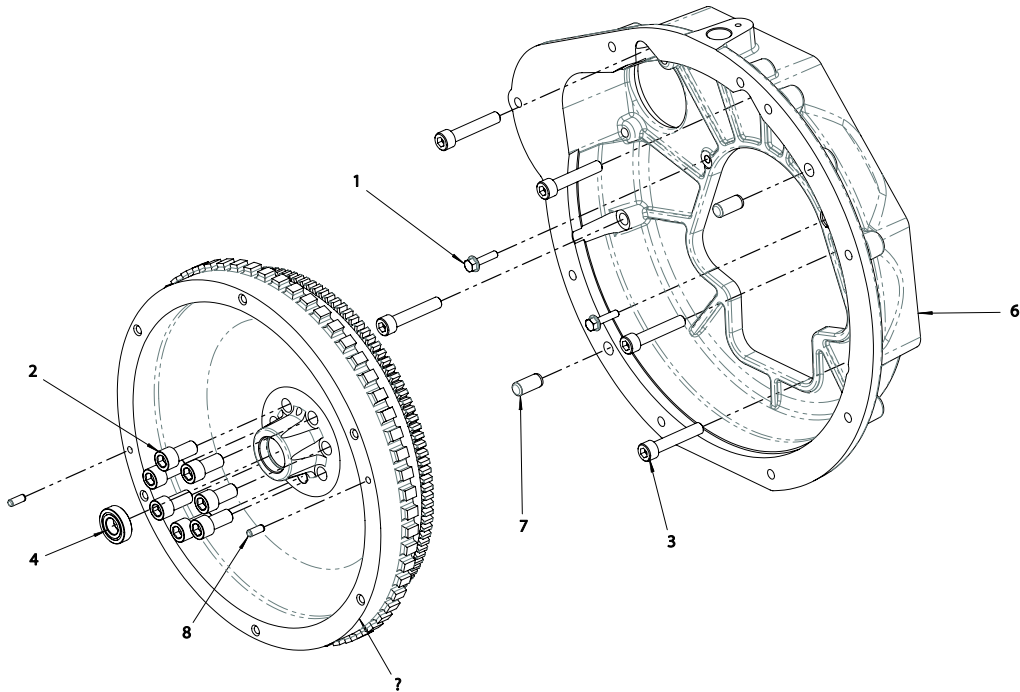
38020120-03

POS.	PART NUMBER	DESCRIPTION	QTY	NOTES
1	13500220	PLATE, PUMP DRIVE COVER	1	
2	13500221	GASKET, PUMP DRIVE COVER	1	
3	31500139	SPROCKET, DRIVER	1	
4	31500140	SPROCKET, DRIVER	1	
5	31500142	HOUSING, REAR PTO	1	
6	31500144	CHAIN, PTO	1	
7	31500145	O-RING	5	
8	31500146	BEARING	2	
9	31500150	DOWEL	1	
10	31500151	PIN, SPRING	1	

SIDE PTO CONT.

POS.	PART NUMBER	DESCRIPTION	QTY	NOTES
11	31500153	PLUG	1	
12	31500156	SEAL, TIMING COVER TO PTO	1	
13	31500157	SEAL, ENGINE TO PTO	1	
14	31500158	PLUG	2	
15	31500162	HOUSING, FRONT PTO	1	
16	31500163	RING, POSITIONING	2	
17	31500165	SEAL CHAIN DRIVE	2	
18	33500495	PLUG	2	
19	35000533	BOLT	7	
20	35000662	BOLT	2	
21	35000760	BOLT	2	
22	80000143	SEAL	1	

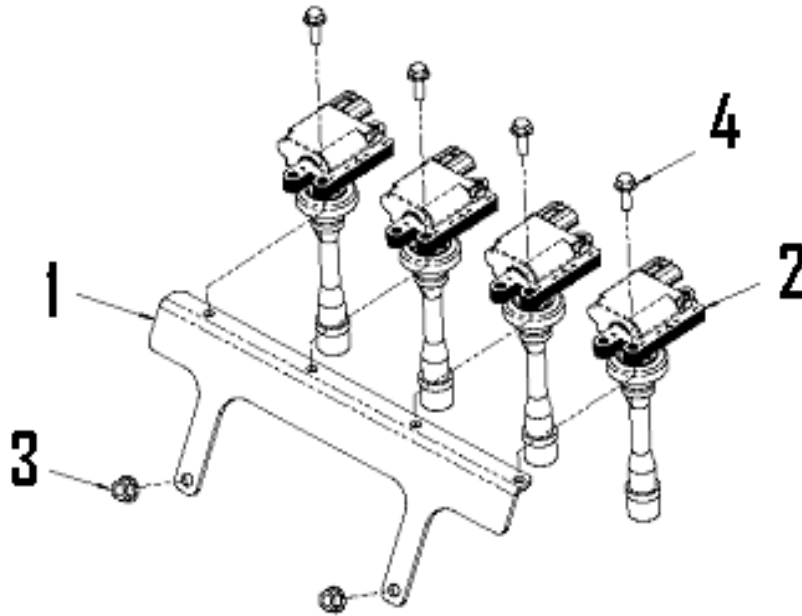
TRANSMISSION ADAPTER WITH FLYWHEEL



38020200-01

POS.	PART NUMBER	DESCRIPTION	QTY	NOTES
1	35000450	BOLT	2	
2	35000840	BOLT	7	
3	35001033	BOLT	5	
4	30500500	BALL BEARING	1	
5	30500499	FLYWHEEL RING GEAR	1	
6	30500498	TRANSMISSION ADAPTER	1	
7	30500501	PIN	2	
8	30500502	PIN	2	

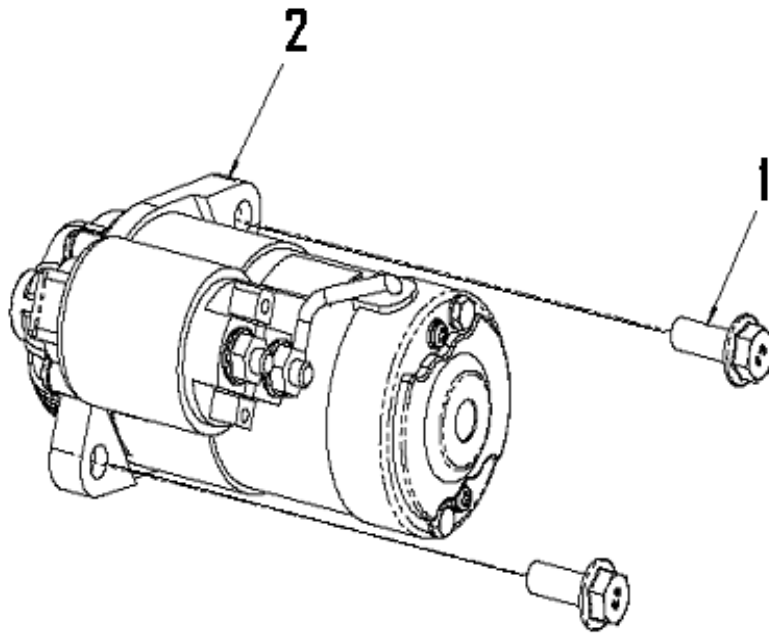
IGNITION



38020306-02

POS.	PART NUMBER	DESCRIPTION	QTY	NOTES
1	33001397	BRACKET	1	
2	33001172	IGNITION COIL	4	
3	35000021	NUT	2	
4	35000696	BOLT	4	

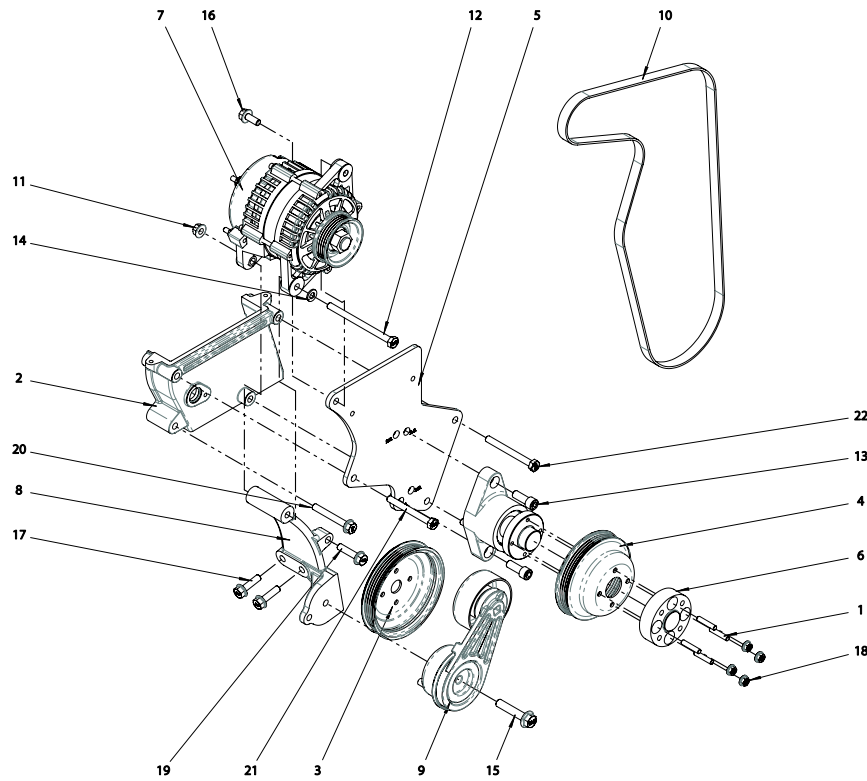
STARTER



38020307-03

POS.	PART NUMBER	DESCRIPTION	QTY	NOTES
1	35000949	BOLT	2	
2	33002222	STARTER	1	
3	35000021	NUT	1	

HI-FAN ALTERNATOR MOUNT



38020341-01

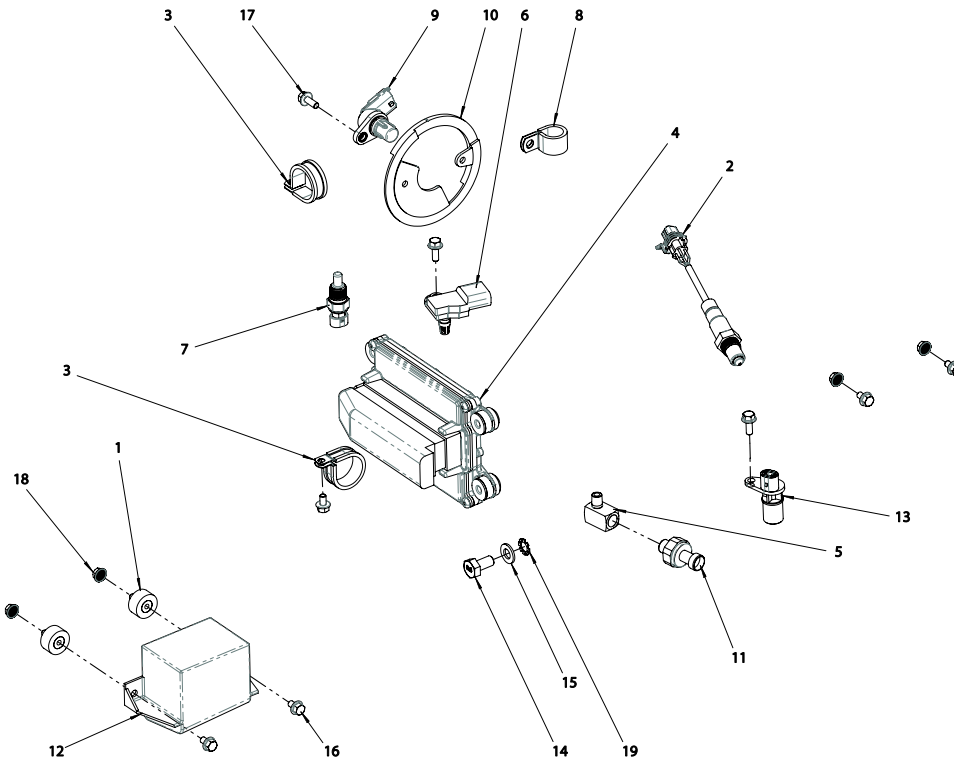
POS.	PART NUMBER	DESCRIPTION	QTY	NOTES
1	32001078	HI-FAN ASSEMBLY	1	
2	32001163	TIMING COVER	1	
3	32001238	WATER PUMP PULLEY	1	
4	32001239	FAN PULLEY	1	
5	32001240	BRACKET	1	
6	32001241	SPACER	1	
7	33001944	ALTERNATOR	1	
8	33001754	BRACKET	1	
9	33001757	TENSIONER	1	
10	33001758	4 GROOVE BELT	1	

SPECN. : 39004152
 REV. DATE : 08AUG16

HI-FAN ALTERNATOR MOUNT CONT.

POS.	PART NUMBER	DESCRIPTION	QTY	NOTES
11	35000021	NUT	1	
12	35000271	BOLT	1	
13	35000295	BOLT	2	
14	35000426	WASHER	1	
15	35000436	BOLT	1	
16	35000532	BOLT	1	
17	35000533	BOLT	2	
18	35000699	NUT	4	
19	35000712	BOLT	1	
20	35000941	BOLT	1	
21	35000944	BOLT	2	
22	35000945	BOLT	1	

ELECTRICAL

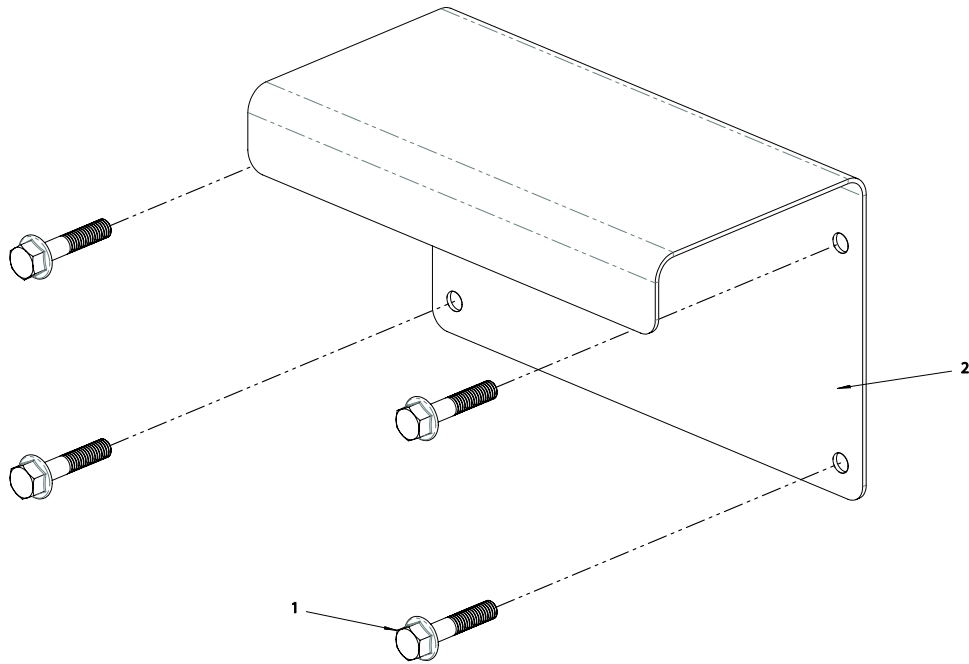


38020342-04

POS.	PART NUMBER	DESCRIPTION	QTY	NOTES
1	32501190	MOUNT	2	
2	32501267	O2 SENSOR	1	
3	32501922	CLAMP	2	
4	32502148	ECM NON PROGRAM	1	
5	32502342	FITTING	1	
6	33000366	T MAP SENSOR	1	
7	33000376	COOLANT SENSOR	1	
8	33000778	CLAMP	1	
9	33001175	CAMSHAFT SENSOR	1	
10	33001220	CM/WHEEL SENSOR	1	
11	33001415	O/PRESS SENDER	1	
12	33001750	HARNESS	1	
13	33002062	SENSOR, CRK/SHAFT	1	
14	35000299	BOLT	1	
15	35000402	WASHER	1	
16	35000449	BOLT	5	
17	35000530	BOLT	3	
18	35000699	NUT	4	
19	35000961	WASHER	1	

SPEC N. : 39004152
 REV. DATE: 08AUG16

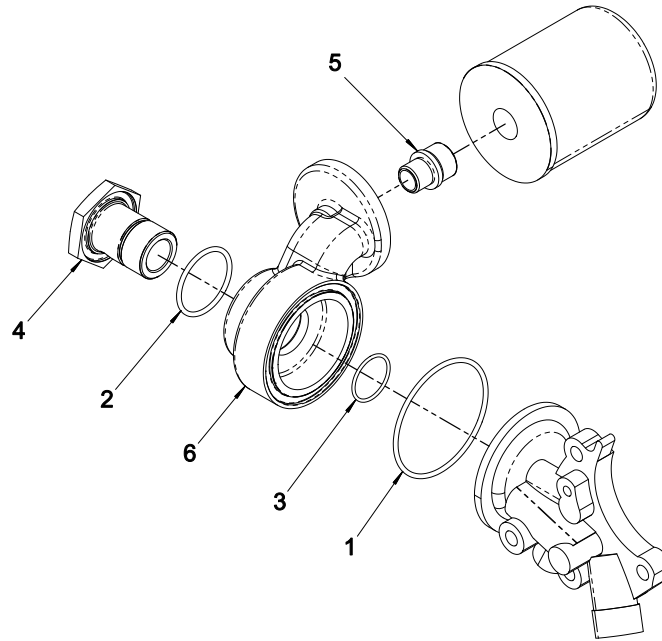
ECU MOUNT



38020344-01

POS.	PART NUMBER	DESCRIPTION	QTY	NOTES
1	35000578	BOLT	4	
2	33001759	COVER	1	

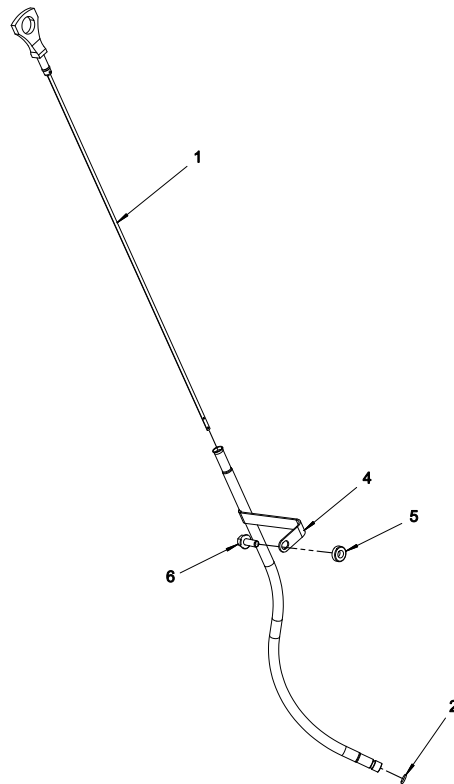
OIL FILTER ADAPTER



38020403-01

POS.	PART NUMBER	DESCRIPTION	QTY	NOTES
1	32501724	O-RING	1	
2	32501755	O-RING	1	
3	32502139	O-RING	1	
4	32502155	FITTING	1	
5	32502156	ADAPTER	1	
6	32502157	ADAPTER	1	

DIPSTICK AND TUBE

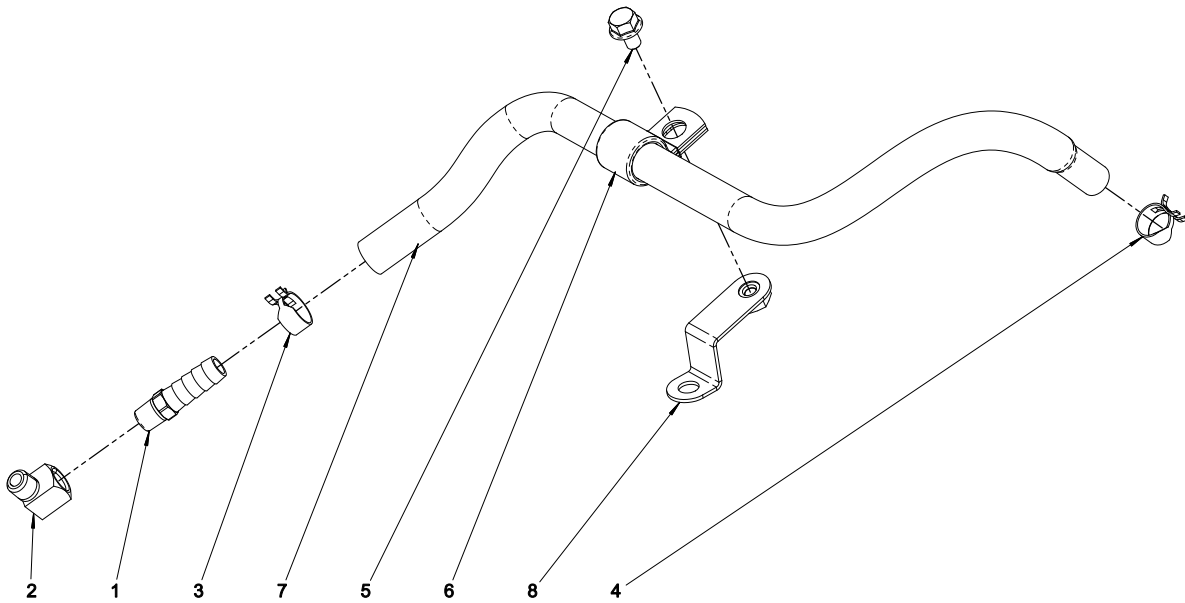


38020457-02

POS.	PART NUMBER	DESCRIPTION	QTY	NOTES
1	30600196	DIPSTICK	1	
2	32001107	O-RING	1	
3	32500217	THERMO SLEEVE	1	NOT SHOWN
4	32502294	TUBE	1	
5	32502339	SPACER	1	
6	35000532	BOLT	1	

SPEC N. : 39004152
 REV. DATE : 08AUG16

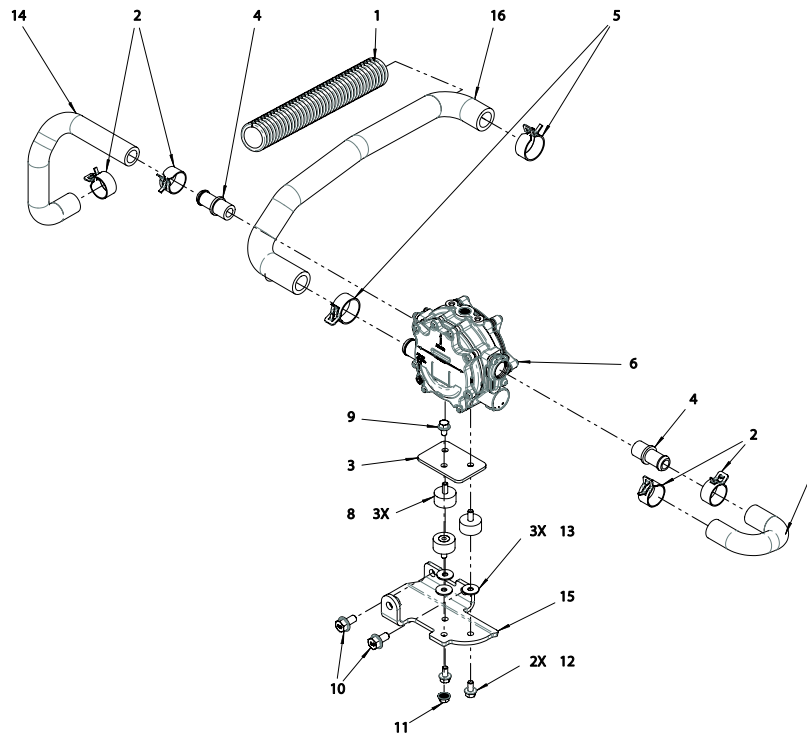
PCV FOUL HOSE



38020463-01

POS.	PART NUMBER	DESCRIPTION	QTY	NOTES
1	32000253	FITTING	1	
2	32500688	FITTING	1	
3	32501134	CLAMP	1	
4	33501007	CLAMP	1	
5	35000449	BOLT	1	
6	62500072	CLAMP	1	
7	33501089	HOSE	1	
8	33501090	BRACKET	1	

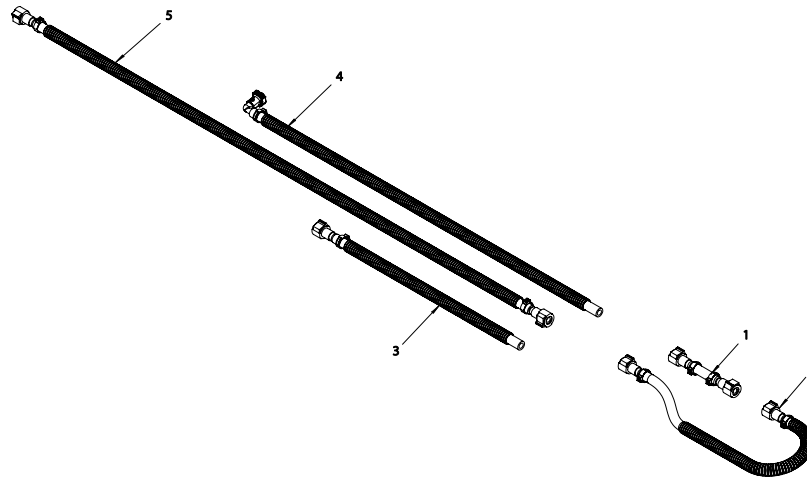
VAPORIZER



38020468-01

POS.	PART NUMBER	DESCRIPTION	QTY	NOTES
1	32000561	LOOM	10 IN	
2	32501361	CLAMP	4	
3	32501847	VAPORIZER BRACKET	1	
4	32501855	FITTING	2	
5	32501950	CLAMP	2	
6	32502699	REGULATOR	1	
7	32502200	HOSE	1	
8	32502462	VIBRATION MOUNT	3	
9	35000449	BOLT	1	
10	35000526	BOLT	2	
11	35000699	NUT	1	
12	35000931	BOT	2	
13	32502569	WASHER	3	
14	32001243	HOSE	1	
15	32502624	BRACKET	1	
16	32502625	FUEL HOSE	1	

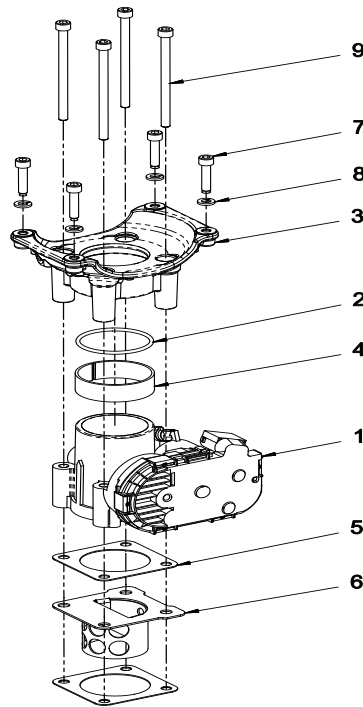
FUEL LINES



38020471-01

POS.	PART NUMBER	DESCRIPTION	QTY	NOTES
1	32502297	FUEL HOSE PUMP TO FILTER	1	
2	32502298	FUEL HOSE FILER TO MANIFOLD	1	
3	32502678	FUEL HOSE TANK ASSEMBLY	1	
4	32502679	FUEL HOSE	1	
5	32502680	FUEL HOSE	1	

THROTTLE BODY

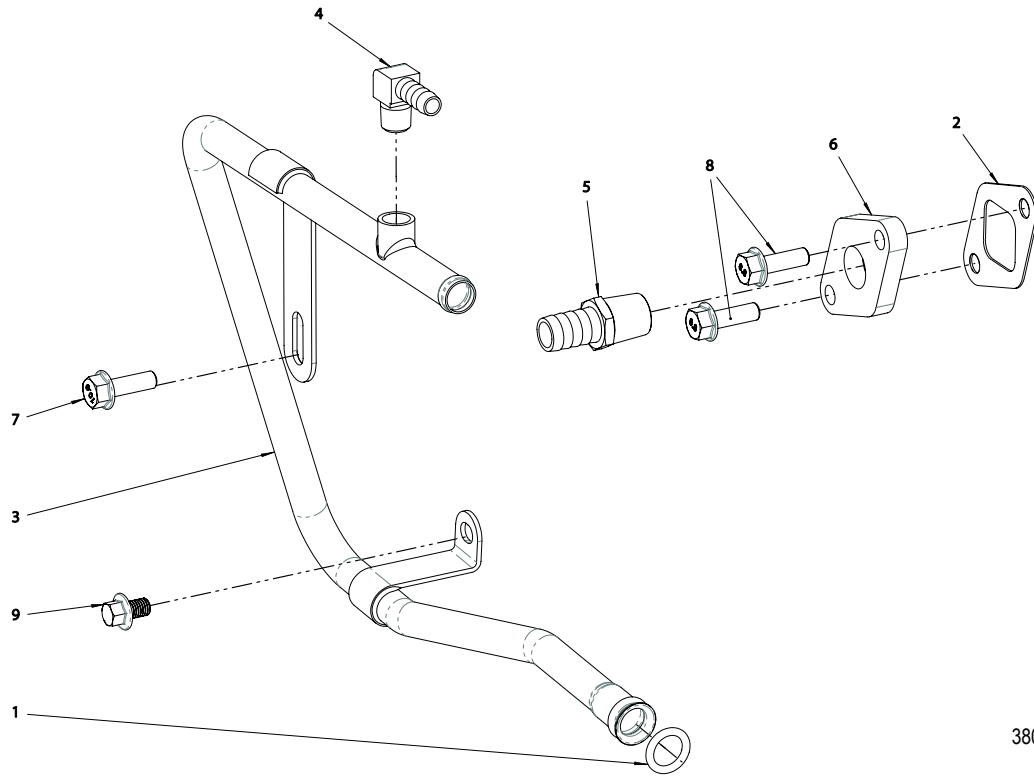


38020479-01

POS.	PART NUMBER	DESCRIPTION	QTY	NOTES
1	32500697	THROTTLE BODY	1	
2	32501097	O-RING	1	
3	32501701	ADAPTER	1	
4	32501837	SPACER	1	
5	32502213	GASKET	2	
6	33501094	BAFFLE	1	
7	35000004	BOLT	4	
8	35000285	WASHER	4	
9	35000668	BOLT	4	

SPECN. : 39004152
 REV. DATE : 08AUG16

DSR COOLANT



38020609-03

POS.	PART NUMBER	DESCRIPTION	QTY	NOTES
1	32001057	O-RING	1	
2	32001098	WATER SUPPLY GASKET	1	
3	32001242	COOLANT TUBE	1	
4	32500659	FITTING	1	
5	32501108	FITTING	1	
6	32502201	PLATE	1	
7	35000452	BOLT	1	
8	35000821	BOLT	2	
9	35000937	BOLT	1	

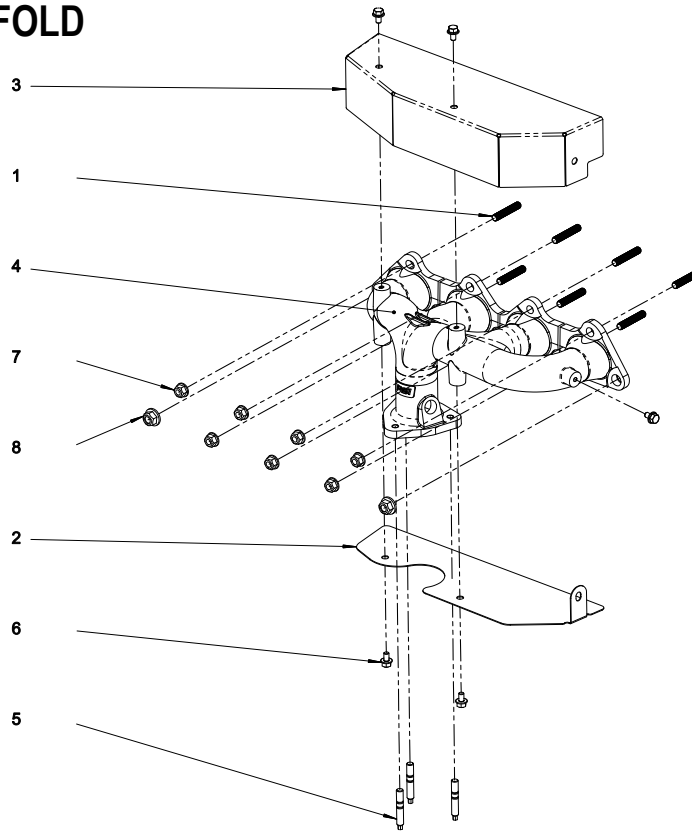
COOLANT

NO IMAGE AVAILABLE

38020610-01

POS.	PART NUMBER	DESCRIPTION	QTY	NOTES
1	32001244	THERMOSTAT HOUSING	1	
2	32501436	PLUG	1	
3	33501005	COOLANT OUTLET GASKET	1	
4	33501032	WATER OUTLET	1	
5	35000021	NUT	2	

EXHAUST MANIFOLD

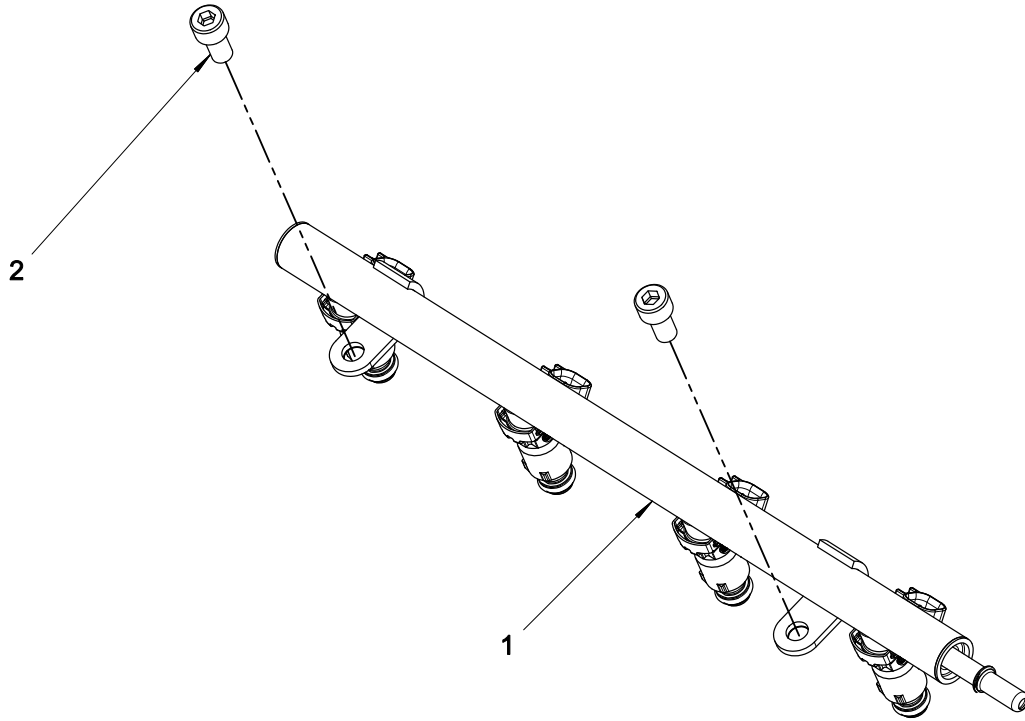


38020818-06

POS.	PART NUMBER	DESCRIPTION	QTY	NOTES
1	32001236	STUD	7	
2	33500974	LOWER HEAT SHIELD	1	
3	33500975	UPPER HEAT SHIELD	1	
4	33500997	EXHAUST MANIFOLD	1	
5	33501052	STUD	3	
6	35000449	BOLT	5	
7	35000844	NUT	7	
8	35000845	NUT	2	

SPEC N. : 39004152
 REV. DATE : 08AUG16

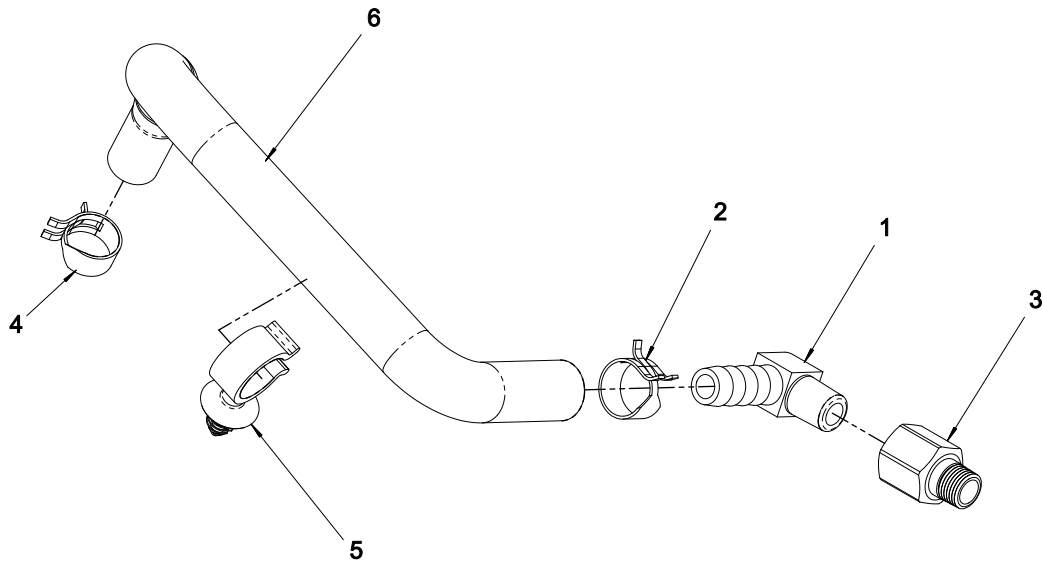
FUEL RAIL



38020821-01

POS.	PART NUMBER	DESCRIPTION	QTY	NOTES
1	32502207	FUEL RAIL	1	
2	35000762	BOLT	2	

PCV FRESH HOSE

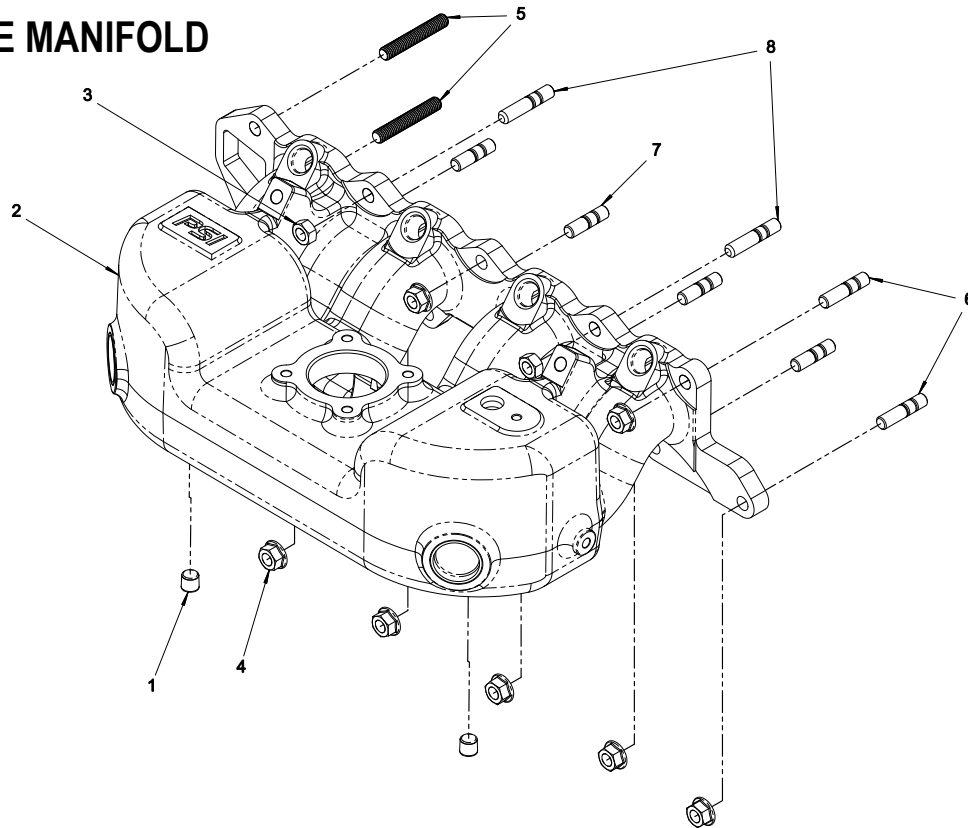


38020831-04

POS.	PART NUMBER	DESCRIPTION	QTY	NOTES
1	32501130	FITTING	1	
2	32501134	CLAMP	1	
3	33000481	NIPPLE	1	
4	33501007	CLAMP	1	
5	33501142	CLIP	1	
6	33501022	HOSE	1	

SPEC N. : 39004152
 REV. DATE : 08AUG16

INTAKE MANIFOLD

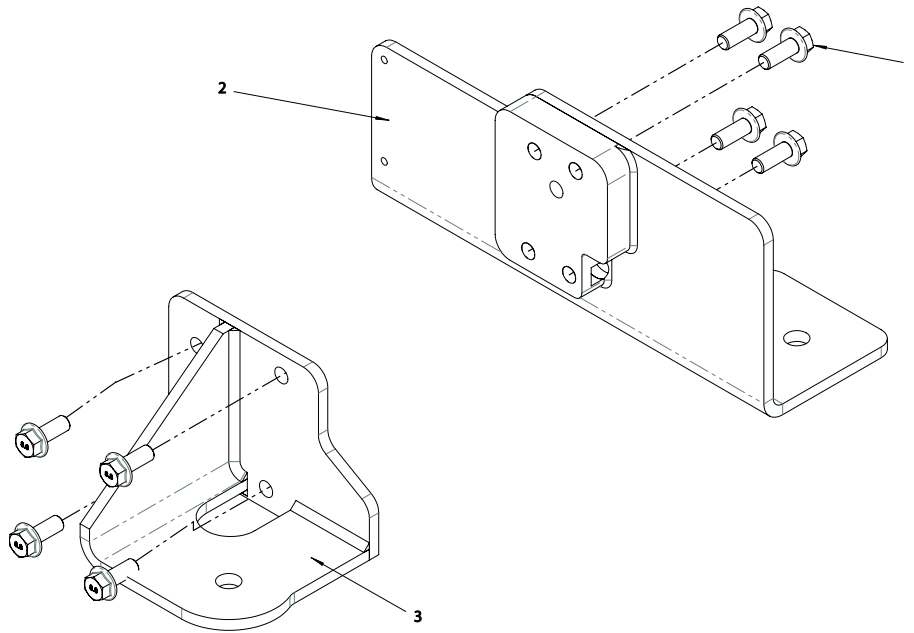


38020837-02

POS.	PART NUMBER	DESCRIPTION	QTY	NOTES
1	32501516	PLUG	2	
2	33501058	INTAKE MANIFOLD	1	
3	35000016	NUT	2	
4	35000021	NUT	7	
5	35000817	STUD	2	
6	35000822	STUD	2	
7	35000839	STUD	4	
8	35000843	STUD	2	

SPEC N. : 39004152
 REV. DATE : 08AUG16

ENGINE MOUNTS

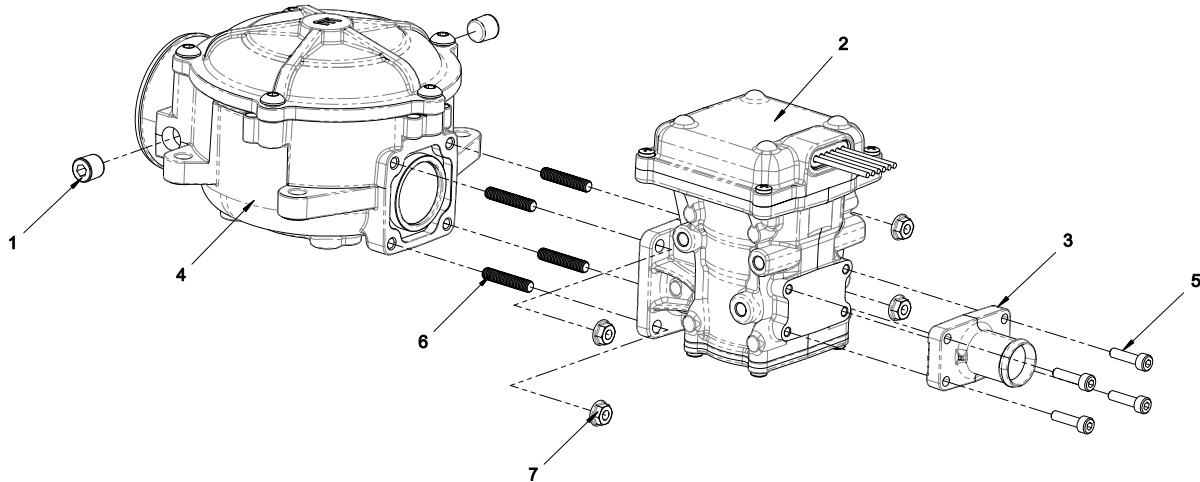


38020912-03

POS.	PART NUMBER	DESCRIPTION	QTY	NOTES
1	35000758	BOLT	8	
2	31000274	LEFT MOUNT	1	
3	31000273	RIGHT MOUNT	1	

SPEC N. : 39004152
 REV. DATE : 08AUG16

EPR

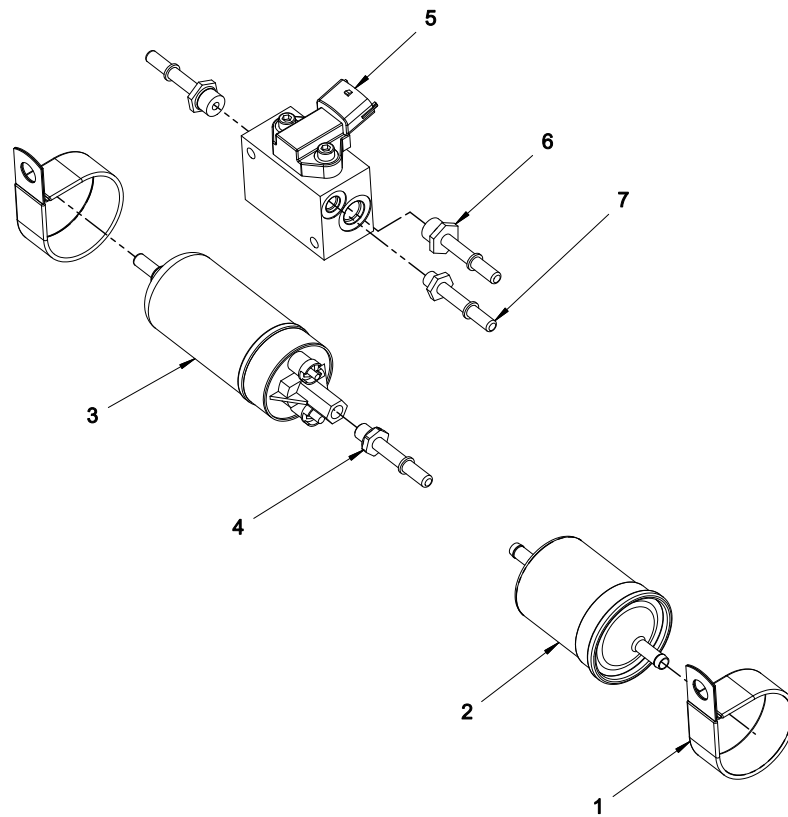


38030490-03

POS.	PART NUMBER	DESCRIPTION	QTY	NOTES
1	32501516	PLUG	2	
2	38020014	PROGRAMMED EPR	1	
3	32501806	FITTING	1	
4	32501961	MIXER *	1	SEE BELOW
5	35000674	BOLT	4	
6	35000680	STUD	4	
7	35000681	NUT	4	
*	106871	MIXER REPAIR KIT	1	

SPEC N. : 39004152
 REV. DATE : 08AUG16

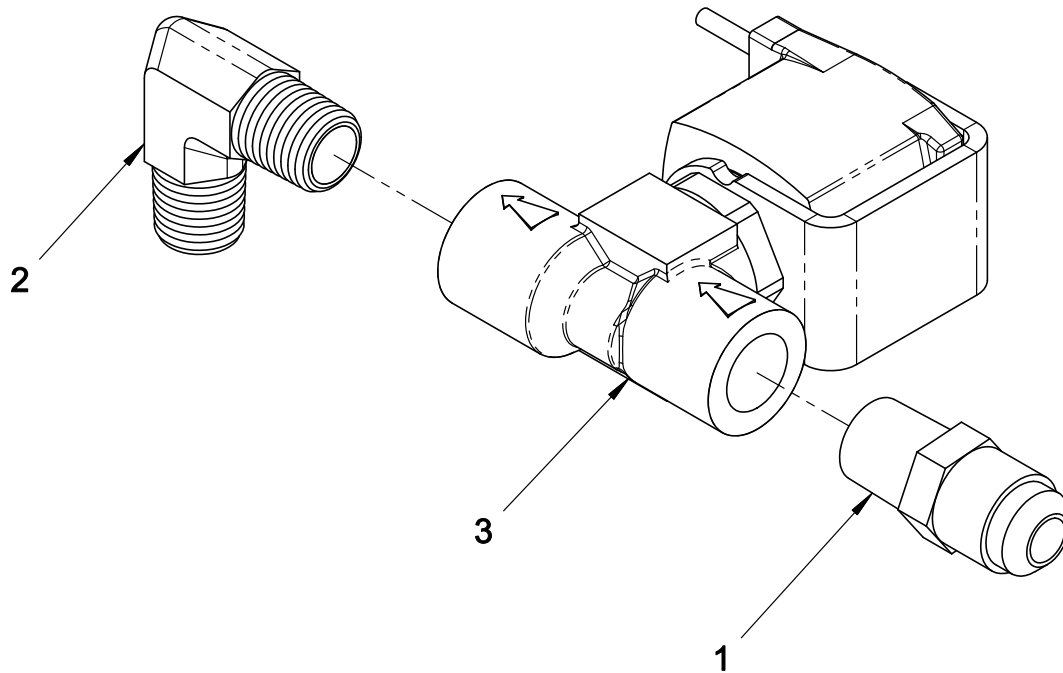
DUAL FUEL



38030550-02

POS.	PART NUMBER	DESCRIPTION	QTY	NOTES
1	32500497	CLAMP	2	
2	32500916	FUEL FILTER	1	
3	32500952	FUEL PUMP	1	
4	32501057	FUEL PUMP FITTING AND GASKET	1	
5	32501092	MANIFOLD	1	
6	32501103	FITTING	2	
7	32501104	FITTING	1	
8	33000651	HARNESS	1	

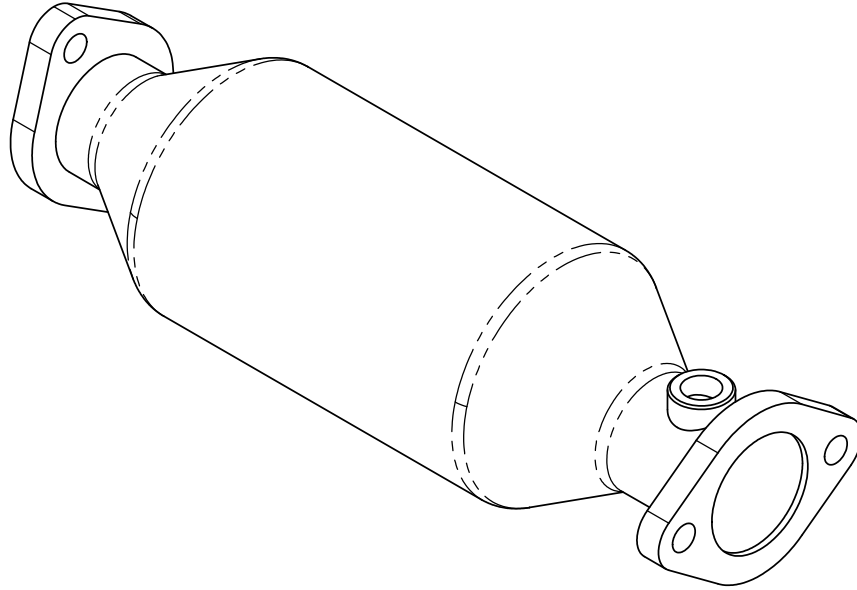
LOCK OFF VALVE



38040529-01

POS.	PART NUMBER	DESCRIPTION	QTY	NOTES
1	32500231	FITTING		
2	32500242	FITTING		
3	32501817	LOCK OFF VALVE		

CATALYST



POS.	PART NUMBER	DESCRIPTION	QTY	NOTES
1	38901264	CATALYST	1	

SPEC N. : 39004152
REV. DATE : 08AUG16