

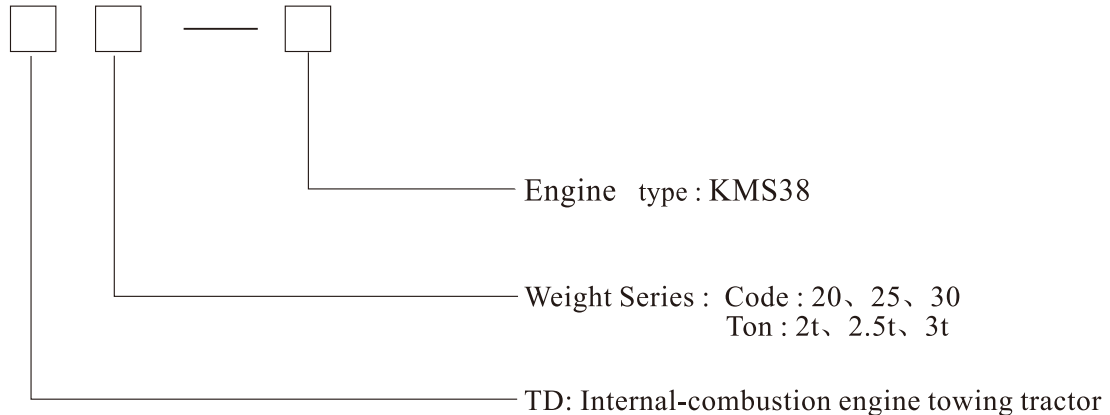
# **PARTS MANUAL**

**2-3t Internal-combustion engine towing tractor**

Original instruction  
NO:V2312

# FOREWORD

1. This parts list is applied to the TD20、TD25、TD30 forklift truck . It is intended for users to identify the name , number and quantity of the parts replaced or repaired and to order them from the suppliers works .
2. When order parts , it is necessary to state the model of the forklift truck , its date of manufacture and according to this Part List , to state the whole number , the whole name and quantity .
3. Among the models of the forklifts truck :



4. If there is any change, we will not notify.
5. Model application: Engine model and maximum capacity.
6. The following trucks are provided with corresponding engine.  
TD25 Gugano PST2 with Cummins 2.8T4T65H(US IV)
7. Abbreviations in the CATALOGUE.

ASS'Y assembly  
R.H. right hand  
L.H. left hand  
H.P. high pressure  
L.P. low pressure

---

## INDEX

I、 Engine system	1
Engine mounting	2
Cooling system	6
Fuel system	8
Exhaust system	10
II、 Driving system	12
Transmission mounting	13
Transmission	15
Torque converter	21
PTO and oil pump	23
Driving System	25
Drive axle	27
Rear suspension	33
Parking brake control	35
III、 Steering system	37
Steering system	38
Steering linkage	40
Steering axle mounting	42
IV、 Brake system	46
Brake control mounting	47
V、 Body system	51
Frame ass'y	52
Weight mounting	54
Covering parts installation	56
Cab mount	60

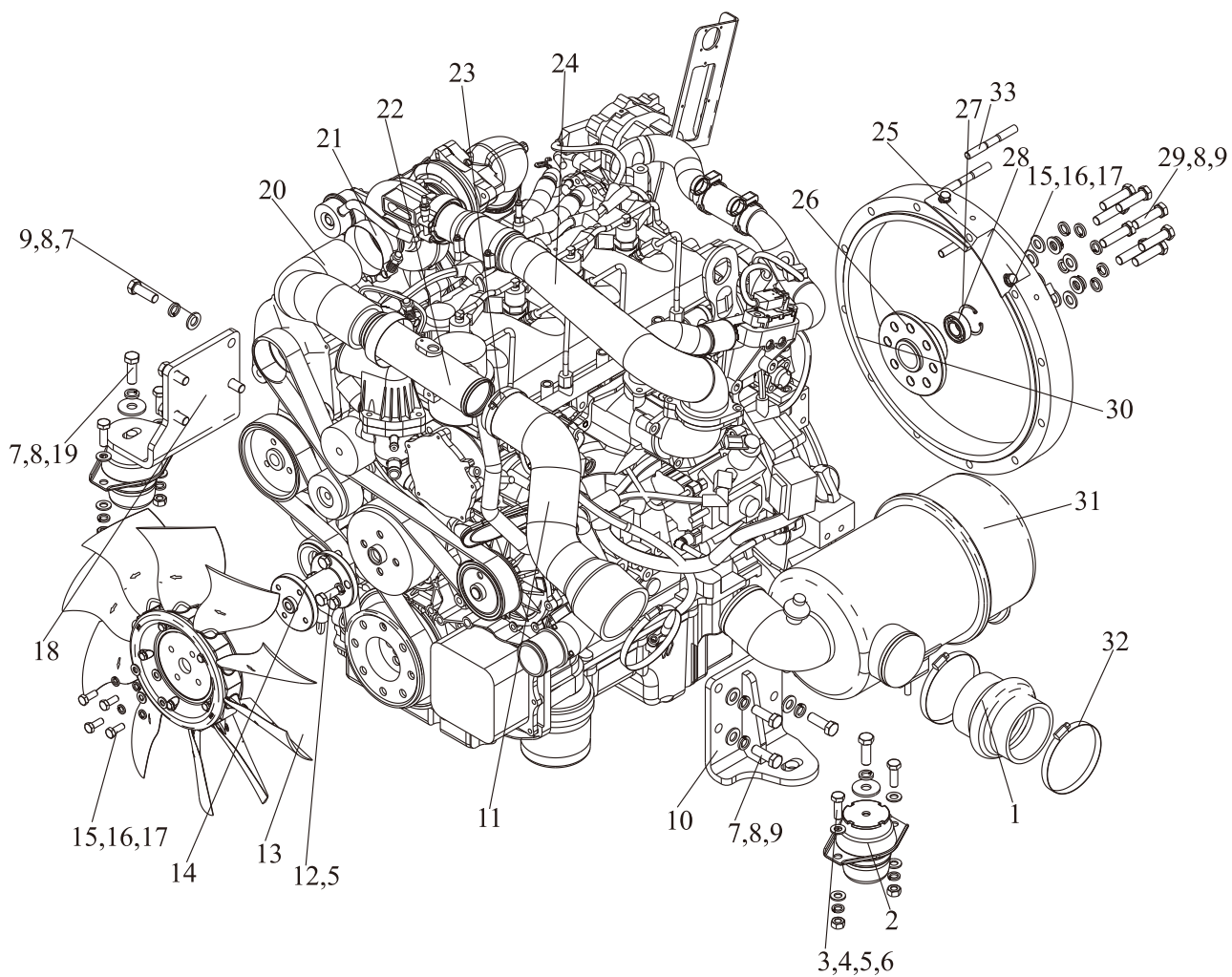
---

Left door installation	62
Right door installation	64
Coupling	66
Front towing device(Optional)	68
Seat	70
VI、 Electric system	72
Combination meter	73
Electric diagrams	74
Vehicle wiring harness	75
Electric system	77

---

# I、ENGINE SYSTEM

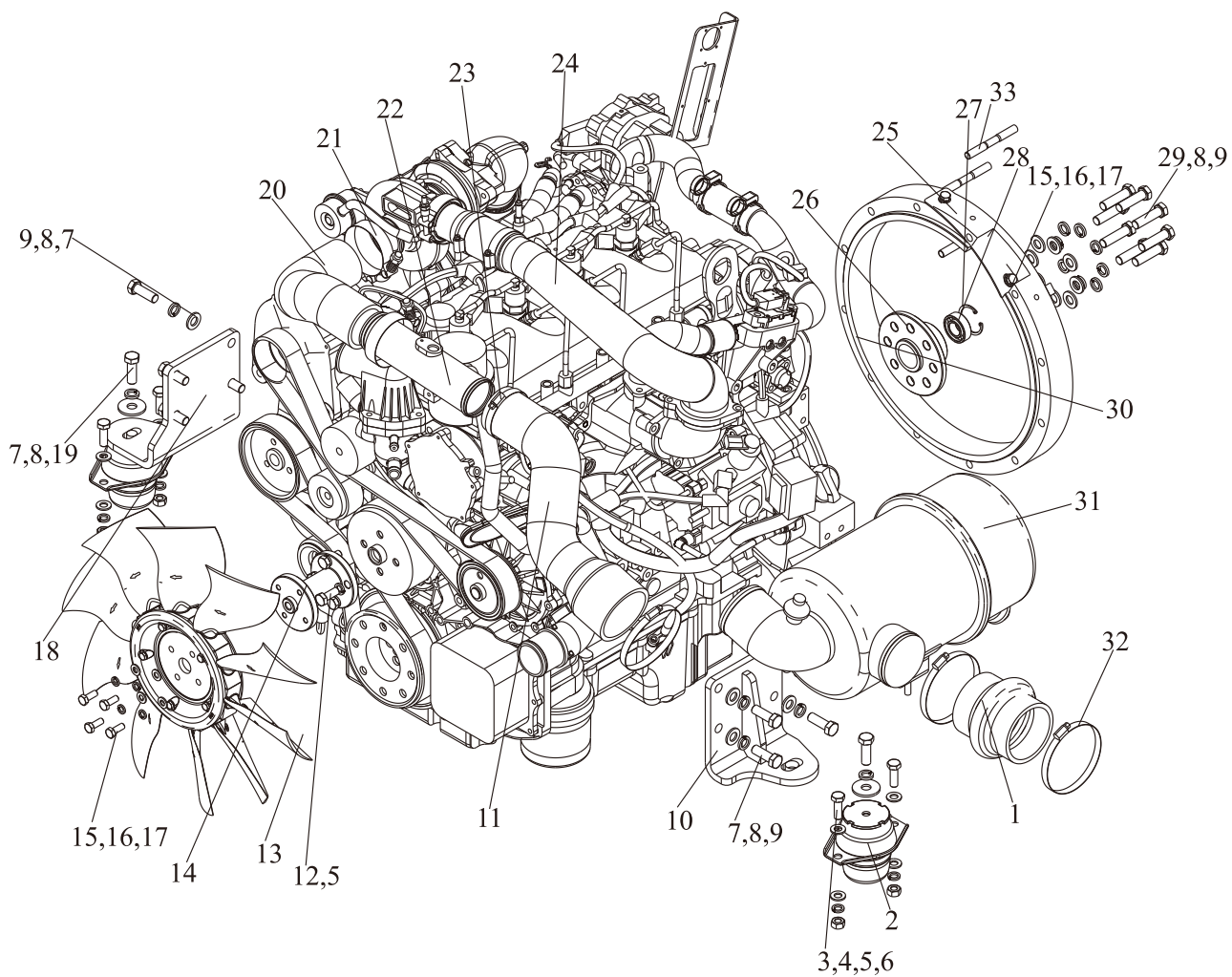
# Engine mounting



## Engine mounting

Item	Part No	Description	Q'ty	Remark
1	T20G5-10008	Intake hose A	1	
2	A30EG5-10400	Shock absorber plate	2	
3	GB/T5783	Bolt M10×30	4	
4	GB/T97.1	Washer 10	8	
5	GB/T93	Washer,lock 10	8	
6	GB/T6170	Nut M10	4	
7	GB/T5783	Bolt M12×35	10	
8	GB/T93	Washer,lock 12	18	
9	GB/T97.1	Washer 12	16	
10	T20J5-20200	Engine left stand	1	
11	T20T5-10003	Inlet pipe B	1	
12	GB/T5783	Bolt M10×25	4	
13	T20T5-10005	Suction fan	1	
14	T20T5-10004	Fan base	1	
15	GB/T5783	Bolt M8×20	6	
16	GB/T93	Washer,lock 8	6	
17	GB/T97.1	Washer 8	6	
18	T20J5-10300	Engine right stand	1	
19	GB/T96	Washer 12	2	
20	T20T5-10001	Inlet pipe A	1	
21	8JE08-07208	Hose clamp 72×64	2	
22	T20T5-10002	Sensor nozzle	1	
23	JB/T8870	Clamp 70×50	1	
24	T20T5-10100	Engine assembly	1	
25	T20J5-10003	Sealing plate	1	
26	T20J5-10103	Flywheel seat	1	
27	GB/T893.1	Retainer 40	1	
28	6203-RS(3/4)	Bearing	1	
29	GB/T5786	Bolt M12×1.25×45	8	
30	T20J5-10102	Accept an offer	1	

# Engine mounting



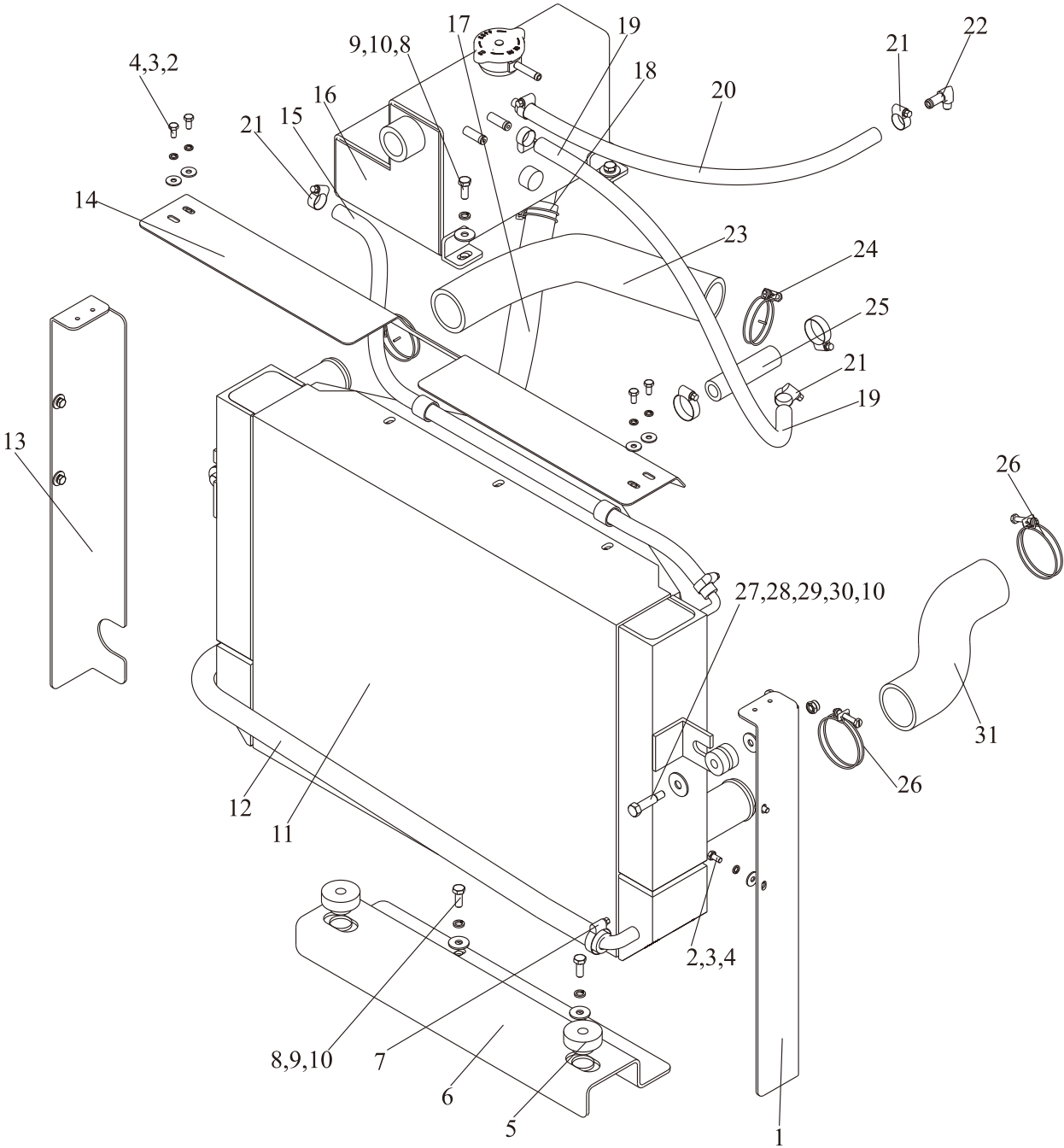


---

Engine mounting

Item	Part No	Description	Q'ty	Remark
31	T20G5-10007	Air filter assembly	1	
32	JB/T8870	Clamp 100×80	3	
33	GB/T901	Stud M10×90	3	

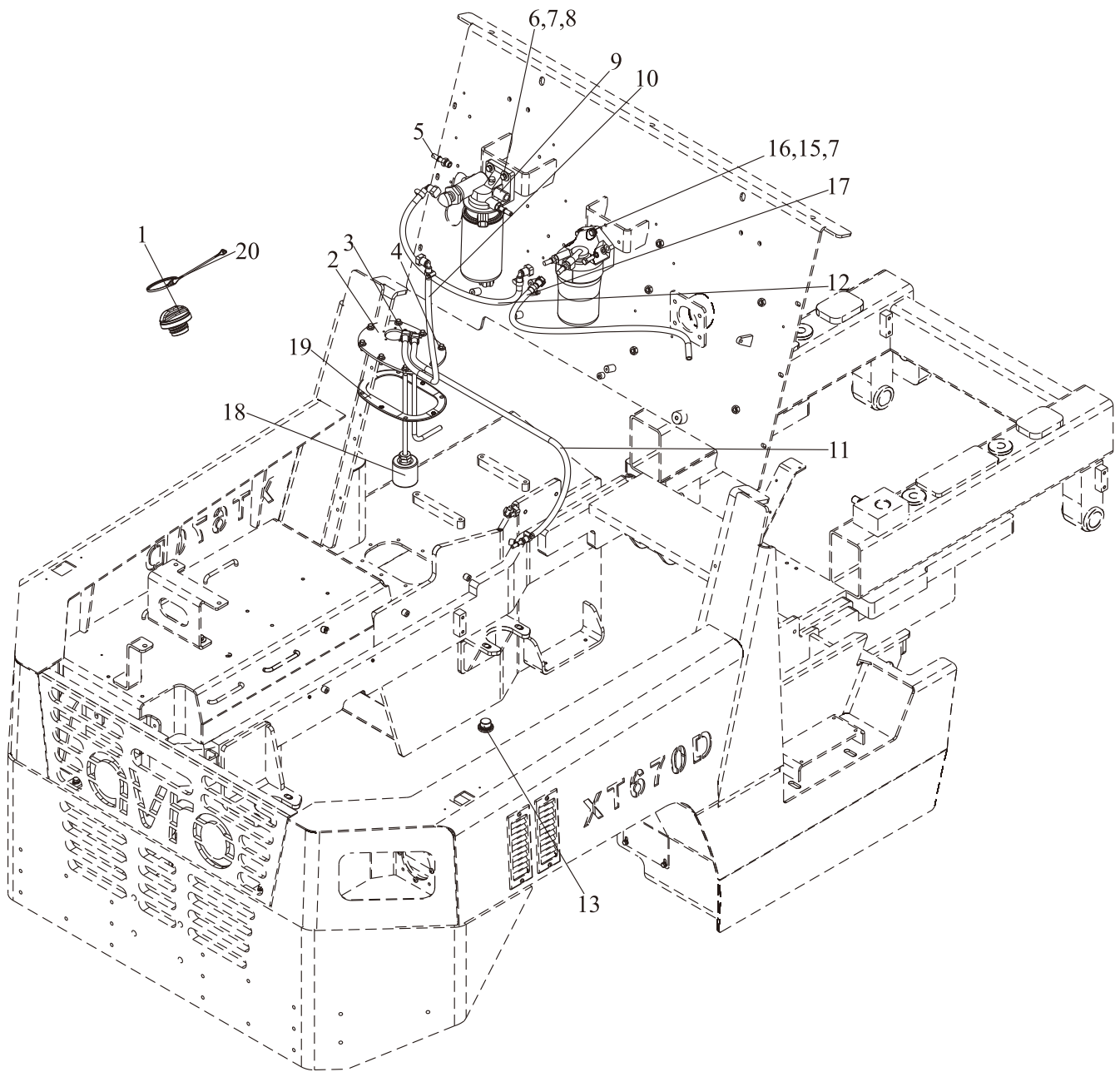
Cooling system



## Cooling system

Item	Part No	Description	Q'ty	Remark
1	T20T5-40002L	Left seal plate	1	
2	GB/T 5783	M6×12 Bolt	8	
3	GB/T 93	6 Washer,lock	8	
4	GB/T 96	6 Washer	8	
5	A30A5-40003	Rubber	2	
6	T20T5-40001	Radiator supportor	1	
7	JB/T8870	32×20 Clip	4	
8	GB/T5783	M8×20 Bolt	5	
9	GB/T93	8 Washer,lock	5	
10	GB/T96	8 Washer	7	
11	T20T5-40100	Radiator	1	
12	TGYRY-16240	φ 16×2400 Oil resistant hose	1	
13	T20T5-40002R	Right seal plate	1	
14	T20T5-40003	Cover plate	1	
15	TGFDY-10084	φ 10×840 Antifreeze pipe	1	
16	T20T5-40200	Auxiliary tank	1	
17	TGFDY-25042	φ 25×420 Antifreeze pipe	1	
18	8JC18-03804	38×34 Clip	2	
19	TGFDY-10045	φ 10×450 Antifreeze pipe	1	
20	TGFDY-10050	φ 10×500 Antifreeze pipe	1	
21	JB/T8870	20×12 Clip	6	
22	GJT-892-00	Right Angle joint	1	
23	T20T5-40005	Inlet pipe	1	
24	8JC18-05505	55×50 Clip	2	
25	TGYRY-16150	φ 16×1500 Oil resistant hose	1	
26	8JC18-06505	65×60 Clip	2	
27	A30A5-40005	Bolt	2	
28	A30A5-20003	Washer	2	
29	A30A5-40004	Rubber pad	2	
30	GB/T889. 1	M8 Nut	2	
31	T20J5-40002	Outlet pipe	1	

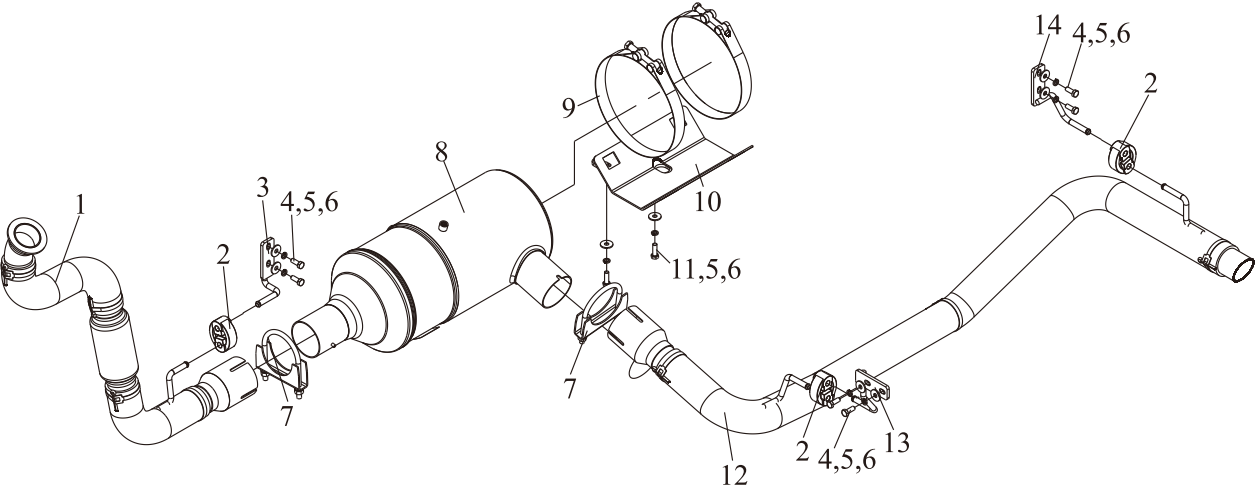
# Fuel system



## Fuel system

Item	Part No	Description	Q'ty	Remark
1	A30DE5-30001	Gasket	1	
2	T20A5-30200	Cover assembly	1	
3	JB/T8870	20×12 Clamp	2	
4	GB/T16674.1	M8×16 Bolt	8	
5	A45P5-30002	Filter joint	2	
6	GB/T 5783	M8×30 Bolt	2	
7	GB/T 93	8 Washer	5	
8	GB/T 96	8 Gasket	2	
9	T20T5-30006	Oil water separator	1	
10	T20T5-30002	A Fuel pipe	1	
11	T20T5-30004	Oil return pipe	1	
12	T20T5-30003	B Fuel pipe	1	
13	A30A4-50002	Plug screw	1	
14	T20T5-30005	Fuel filter	1	
15	GB/T 97.1	8 Washer	3	
16	GB/T 5783	M8×25 Bolt	3	
17	T20T5-30007	C Fuel pipe	1	
18	A30A5-30400	Diesel filter	1	
19	A30A5-30006	Plate pad	1	
20	A30DE5-30007	Fixing strap	1	

Exhaust system



## Exhaust system

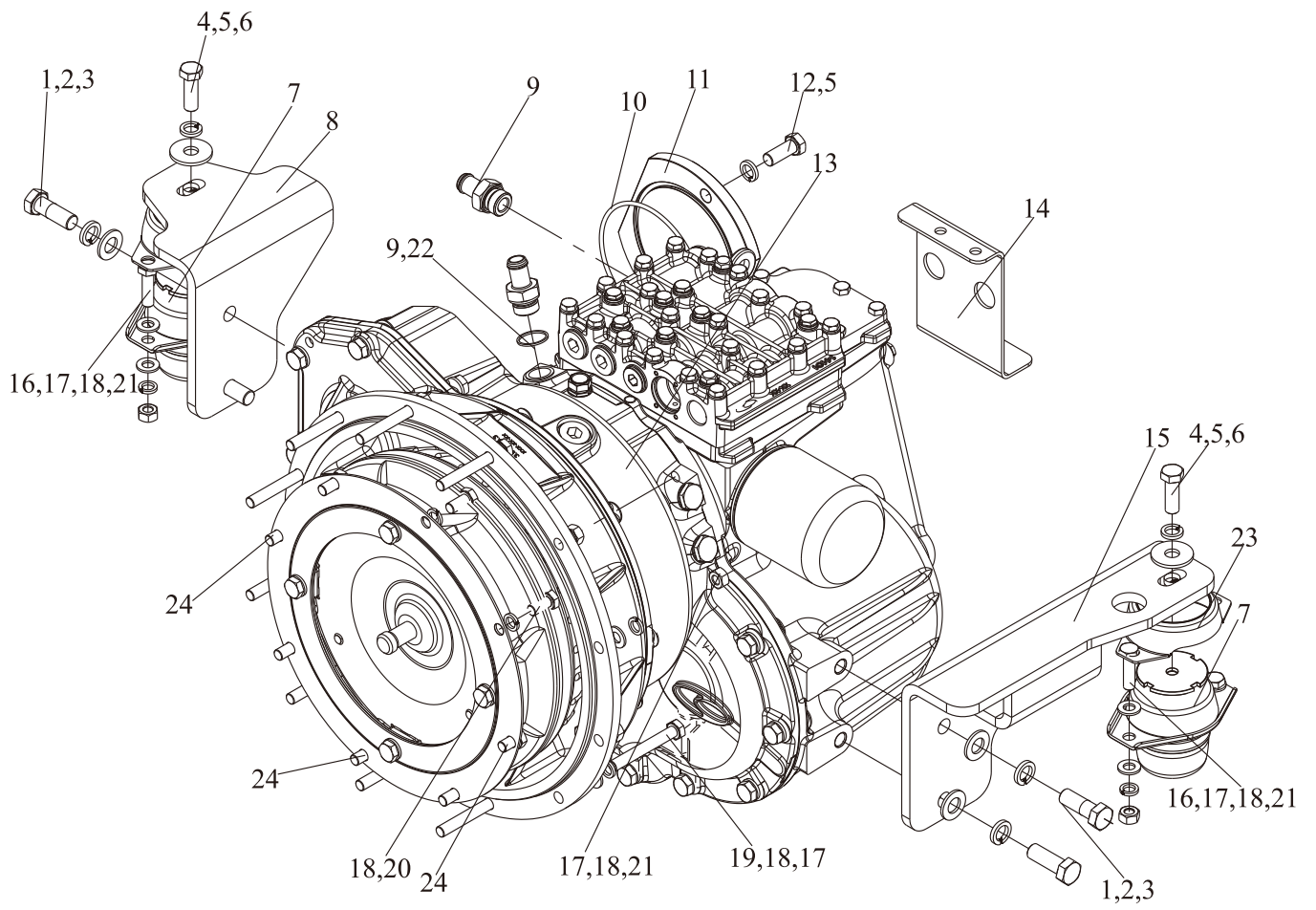
Item	Part No	Description	Q'ty	Remark
1	T20T5-20100	Exhaust pipe	1	
2	T20A5-20001	Exhaust pipe lug	3	
3	T20A5-24000	Silencer left hook	1	
4	GB/T5783	M8×20 Bolt	6	
5	GB/T93	8 Washer,lock	8	
6	GB/T96	8 Washer	8	
7	A120A5-20500	Pipe clamp	2	
8	B80J5-20400	Silencer	1	
9	B80J5-20500	201-213 Hoop	2	
10	T20T5-20300	Catalysts stand	1	
11	GB/T5783	M8×25 Bolt	2	
12	T20T5-20400	Exhaust tailpipe	1	
13	T20T5-20500	I Fixed plate	1	
14	T20T5-20600	II Liner retaining bracket	1	

---

## II、 DRIVING SYSTEM



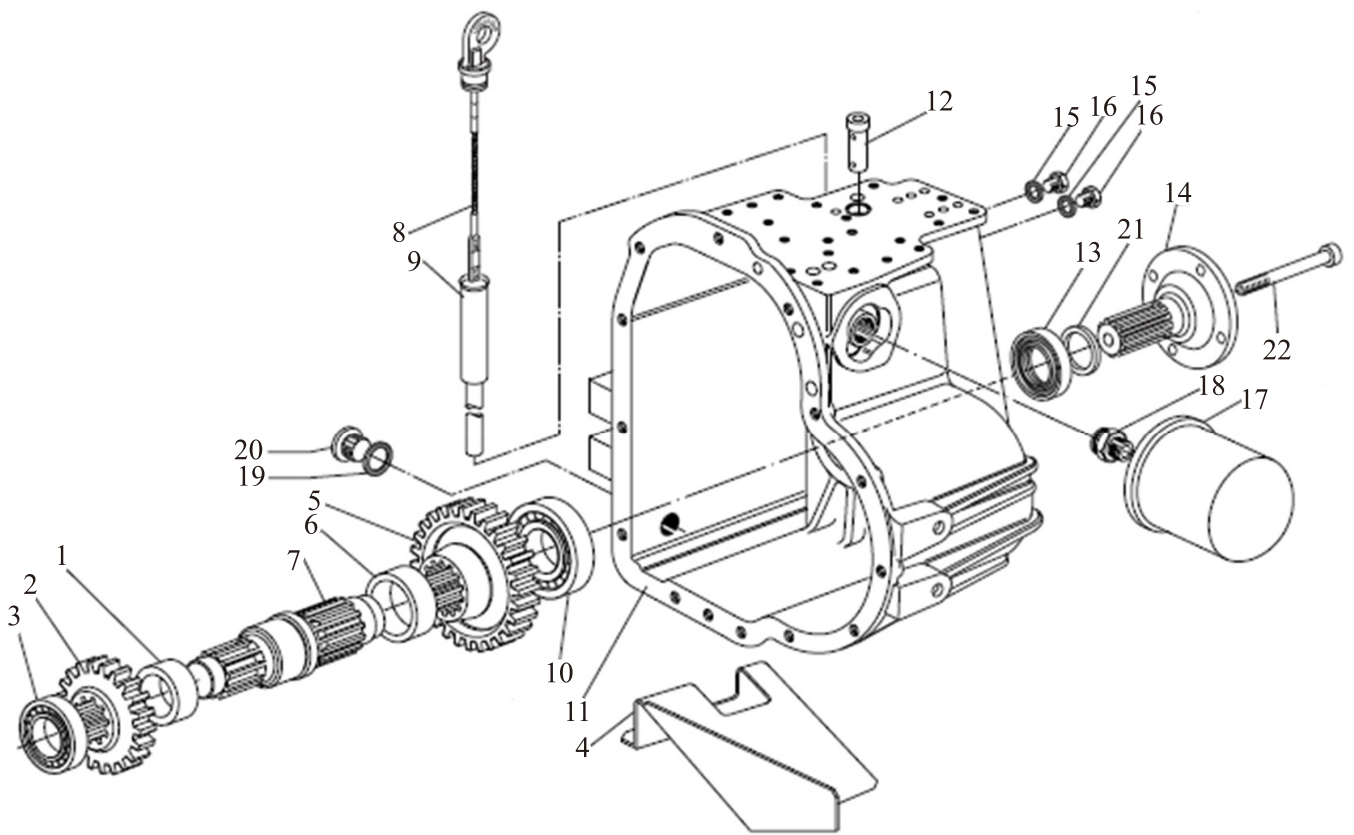
# Transmission mounting



## Transmission mounting

Item	Part No	Description	Q'ty	Remark
1	GB/T 5786	M14×1.5×40 Bolt	4	
2	GB/T 93	14 Washer	4	
3	GB/T 97.1	14 Gasket	4	
4	GB/T 5783	M12×35 Bolt	2	
5	GB/T 93	12 Washer	4	
6	GB/T 96	12 Big Gasket	2	
7	A30EG5-10400	(1500N) Cushion	2	
8	T20T5-60100R	Gear box right supportor	1	
9	GJT-673-00	Straight joint	2	
10	GB/T 3452.1	118×3.55 O-ring	1	
11	T20J5-60006	Sealing plate	1	
12	GB/T 5783	M12×30 Bolt	2	
13	B80E5-00200	Transmission assembly	1	
14	T20J5-60005	Tachometer probe bracket	1	
15	T20T5-60100L	Gear box left supportor	1	
16	GB/T5783	M10×35 Bolt	4	
17	GB/T97.1	10 Gasket	20	
18	GB/T93	10 Washer	24	
19	GB/T5783	M10×75 Bolt	9	
20	GB/T5783	M10×20 Bolt	5	
21	GB/T6170	M10 Nut	7	
22	DQ-M160G	M16 O-ring	1	
23	A30EG5-10001	Steel protective case	2	
24	GB/T5783	M10×16 Bolt	3	

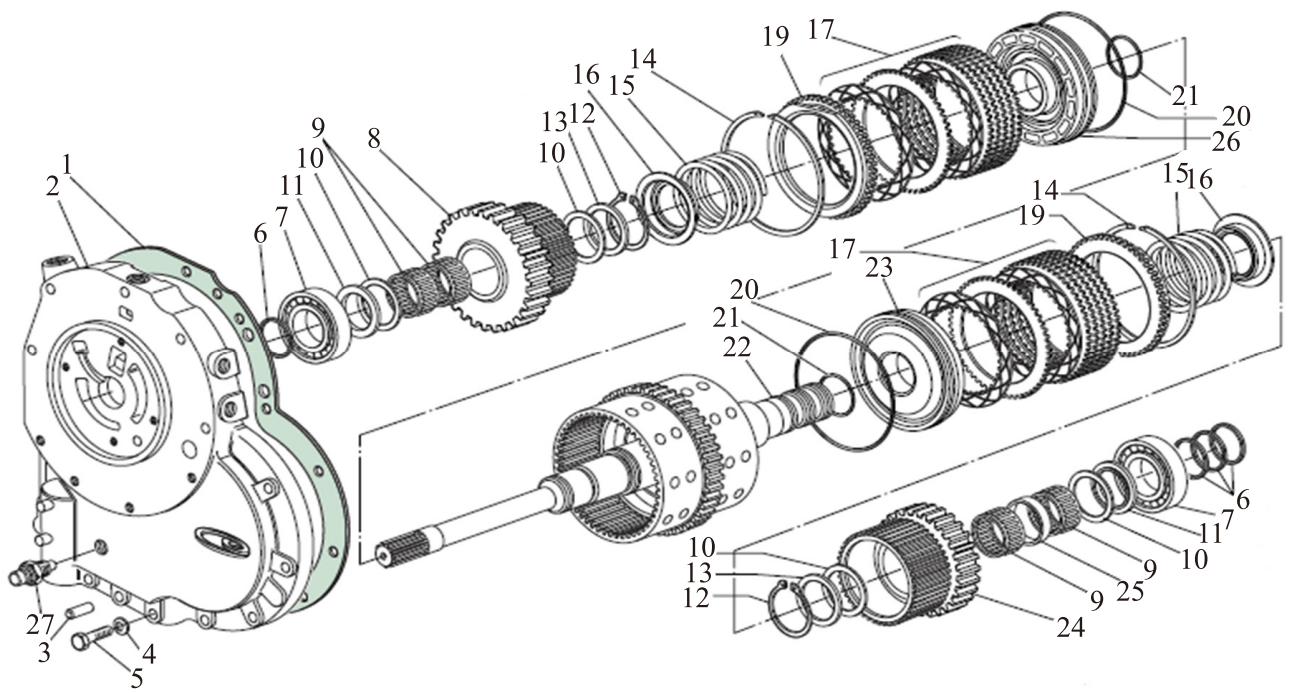
Transmission(1/3)



Transmission(1/3)

Item	Part No	Description	Q'ty	Remark
1	B80E5-00201	Spacer ring	1	
2	B80E5-00202	Gear	1	
3	B80E5-00203	Bearing	1	
4	B80E5-00204	Plate, boffle	1	
5	B80E5-00205	1 Gear	1	
6	B80E5-00206	Spacer ring	1	
7	B80E5-00207	Axis	1	
8	B80E5-00208	Rod, lever	1	
9	B80E5-00209	Pipe	1	
10	B80E5-00210	Bearing	1	
11	B80E5-00211	Case, transmission	1	
12	B80E5-00212	Valve	1	
13	B80E5-00213	Oil seal	1	
14	B80E5-00214	Flange	1	
15	B80E5-00215	Washer	2	
16	B80E5-00216	Plug	2	
17	B80E5-00217	Strainer	1	
18	B80E5-00218	Connector	1	
19	B80E5-00219	Washer	1	
20	B80E5-00220	Plug	1	
21	B80E5-00221	Spacer ring	1	
22	B80E5-00222	Screw	1	

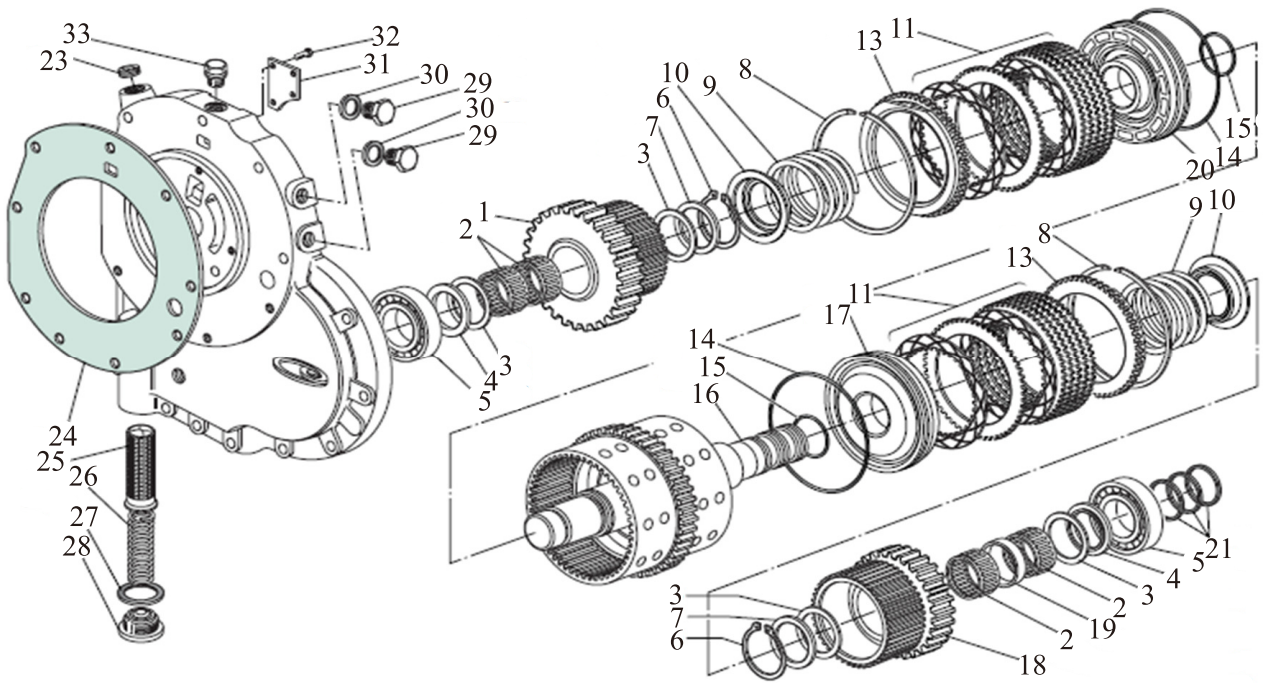
# Transmission(2/3)



Transmission(2/3)

Item	Part No	Description	Q'ty	Remark
1	B80E5-00223	Paper pad	1	
2	B80E5-00224	Case cover	1	
3	B80E5-00225	Pin	2	
4	B80E5-00226	Washer	8	
5	B80E5-00227	Screw	8	
6	B80E5-00228	Snap ring	4	
7	B80E5-00229	Bearing	2	
8	B80E5-00230	2 Gear	1	
9	B80E5-00231	Needle bearing	4	
10	B80E5-00232	Thrust washer	4	
11	B80E5-00233	Thrust washer	2	
12	B80E5-00234	Retaining ring	2	
13	B80E5-00235	Thrust washer	2	
14	B80E5-00236	Lock ring	2	
15	B80E5-00237	Spring	2	
16	B80E5-00238	Cup cover	2	
17	B80E5-00239	Clutch as	2	
19	B80E5-00240	Gear ring	2	
20	B80E5-00241	Type O circle	2	
21	B80E5-00242	Type O circle	2	
22	B80E5-00243	Clutch shaft	2	
23	B80E5-00244	Clutch piston	1	
24	B80E5-00245	1 Gear	1	
25	B80E5-00246	Spacer ring	1	
26	B80E5-00247	Clutch piston	1	
27	B80E5-00248	Temperature switch connector	1	

# Transmission(3/3)



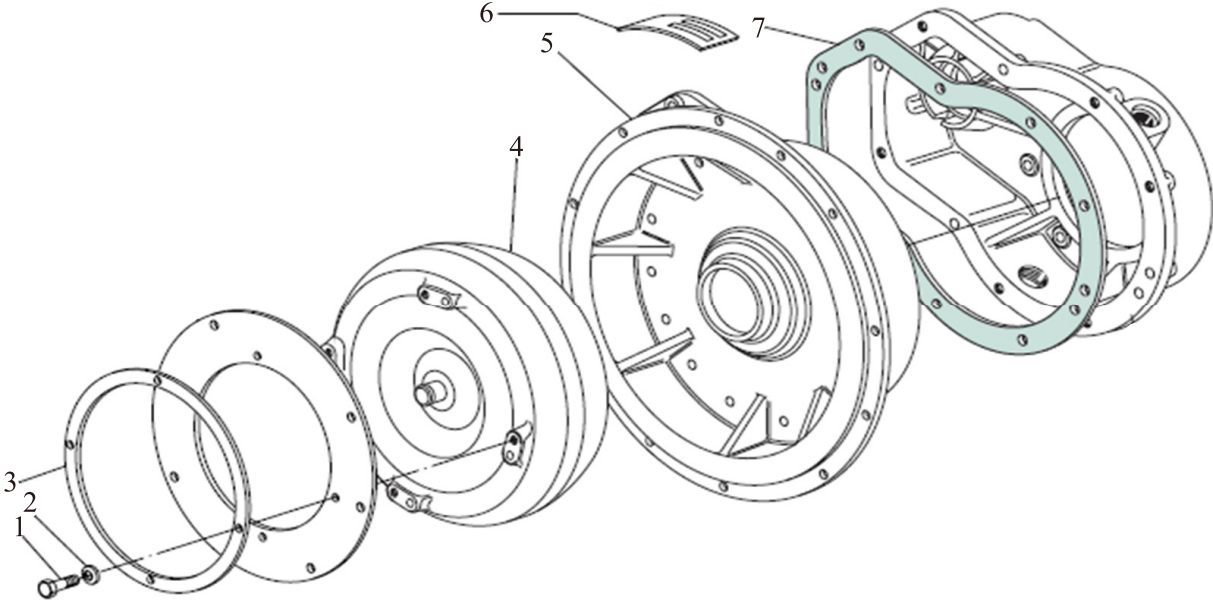
Transmission(3/3)

Item	Part No	Description	Q'ty	Remark
1	B80E5-00249	2 Gear	1	
2	B80E5-00231	Needle bearing	4	
3	B80E5-00232	Thrust washer	4	
4	B80E5-00233	Thrust washer	2	
5	B80E5-00229	Bearing	2	
6	B80E5-00234	Retaining ring	2	
7	B80E5-00235	Thrust washer	2	
8	B80E5-00236	Lock ring	2	
9	B80E5-00237	Spring	2	
10	B80E5-00238	Cup cover	2	
11	B80E5-00239	Clutch as	2	
13	B80E5-00240	Gear ring	2	
14	B80E5-00241	Type O circle	2	
15	B80E5-00242	Type O circle	2	
16	B80E5-00243	Clutch shaft	1	
17	B80E5-00244	Clutch piston	1	
18	B80E5-00250	1 Gear	1	
19	B80E5-00246	Spacer ring	1	
20	B80E5-00247	Clutch piston	1	
21	B80E5-00228	Snap ring	3	
23	B80E5-00220	Plug	1	
24	B80E5-00223	Paper pad	1	
25	B80E5-00251	Filter element	1	
26	B80E5-00252	Spring	1	
27	B80E5-00253	Washer	1	
28	B80E5-00254	Magnetic plug	1	
29	B80E5-00255	Plug	2	
30	B80E5-00256	Washer	2	
31	B80E5-00257	Cover plate	1	
32	B80E5-00227	Screw	4	
33	B80E5-00258	Breather valve	1	



---

Torque converter

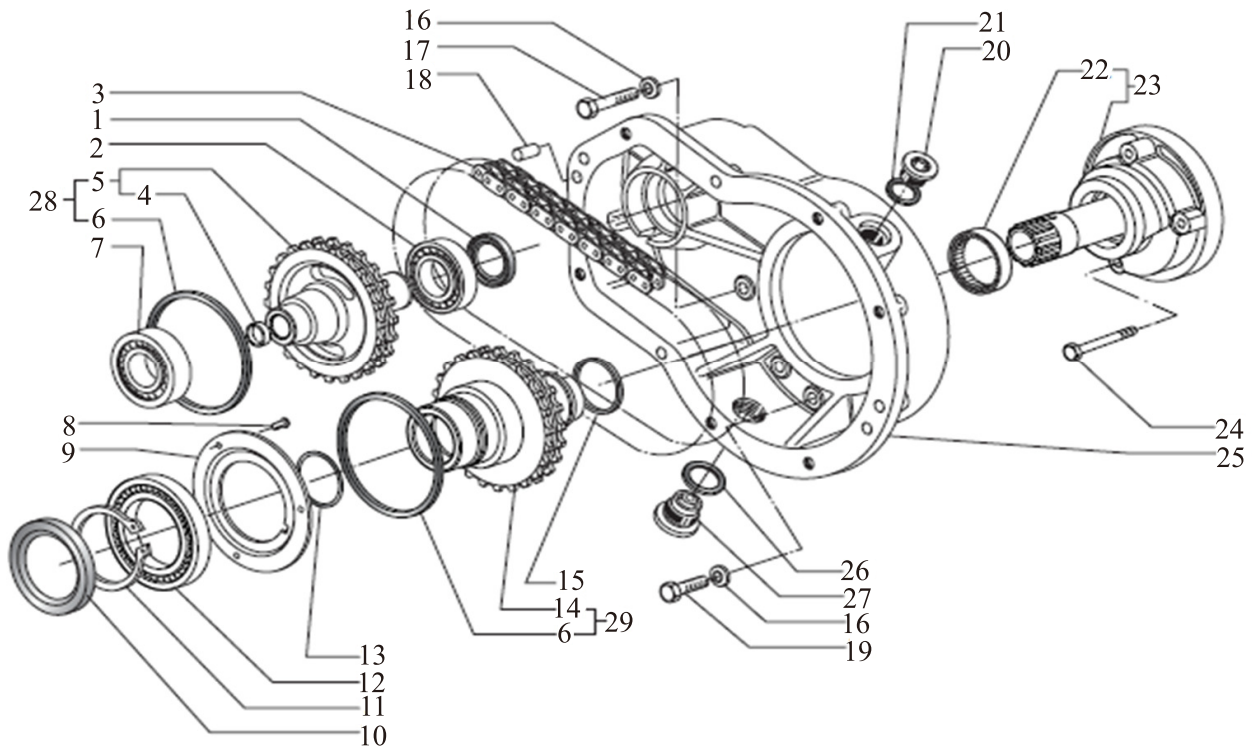


---

Torque converter

Item	Part No	Description	Q'ty	Remark
1	B80E5-00259	Screw	4	
2	B80E5-00260	Washer	4	
3	B80E5-00261	Spacer ring	1	
4	B80E5-00261	W280 Torque converter	1	
5	B80E5-00262	Case cover	1	
6	B80E5-00263	Nameplate	1	
7	B80E5-00264	Paper pad	1	

# PTO and oil pump

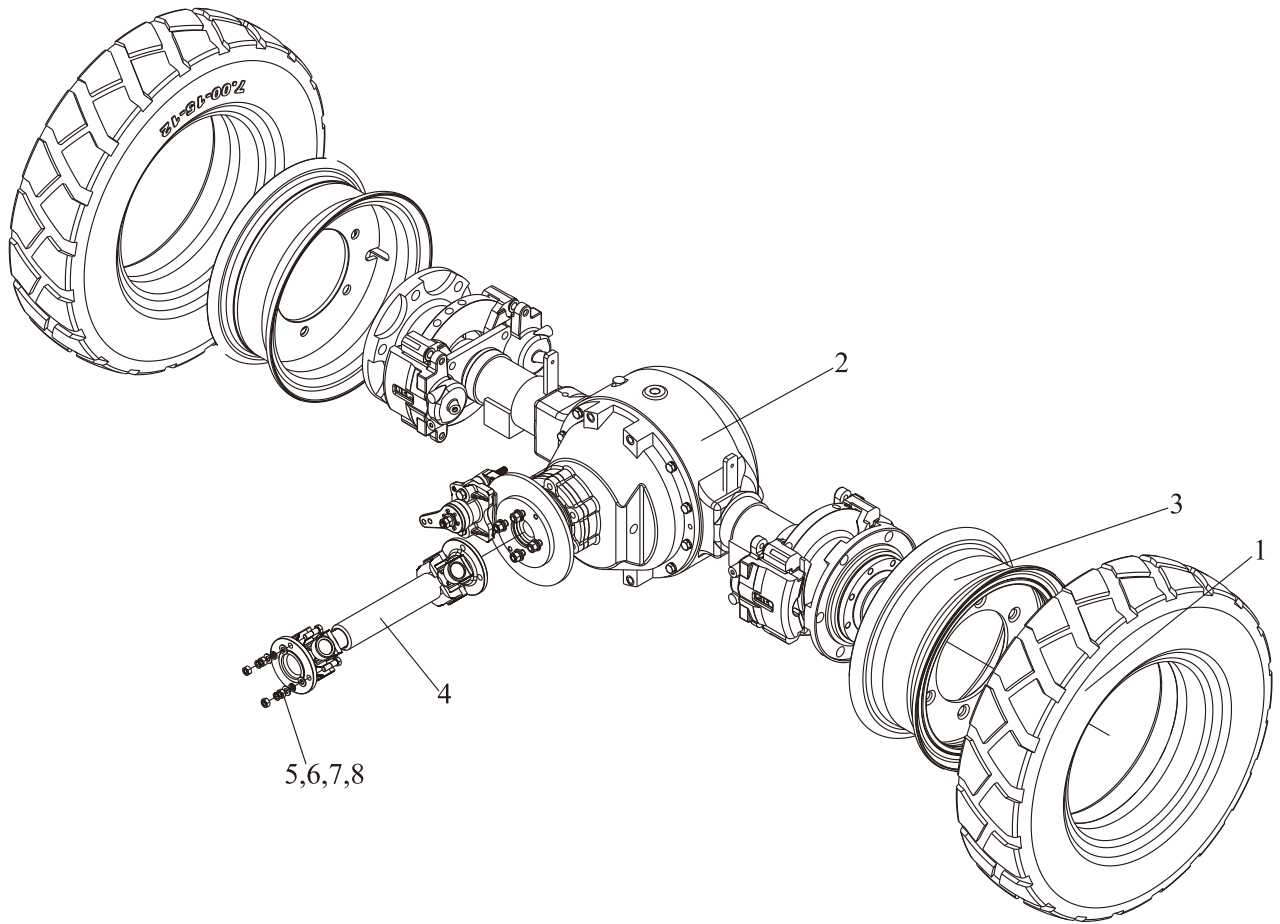


## PTO and oil pump

Item	Part No	Description	Q'ty	Remark
1	B80E5-00265	Oil seal	1	70176
2	B80E5-00266	Bearing	1	70125
3	B80E5-00267	Chain	1	3289983
4	B80E5-00268	Blanking cap	1	70184
5	B80E5-00269	PTO output gear	1	3290013
6	B80E5-00270	Rubber ring	2	3289503
7	B80E5-00271	Bearing	1	70143
8	B80E5-00272	Screw	3	70178
9	B80E5-00273	Bearing cover	1	3106373
10	B80E5-00274	Oil seal	1	70177
11	B80E5-00275	Retaining ring	1	70181
12	B80E5-00276	Bearing	1	70174
13	B80E5-00277	Type O circle	1	3356053
14	B80E5-00278	PTO drive shaft	1	3289933
15	B80E5-00279	Shaft seal	1	70180
16	B80E5-00280	Washer	27	70299
17	B80E5-00281	Screw	5	70012
18	B80E5-00282	Locating pin	2	70117
19	B80E5-00283	Screw	14	70301
20	B80E5-00284	Plug	1	70105
21	B80E5-00285	Seal ring	1	71879
22	B80E5-00286	Roller bearing	1	70175
23	B80E5-00287	Oil pump assembly	1	3118603
24	B80E5-00288	Screw	4	70129
25	B80E5-00289	PTO housing	1	3106273
26	B80E5-00290	Seal ring	1	71880
27	B80E5-00291	Plug	1	3105163
28	B80E5-00292	PTO output gear	1	38SM1573
29	B80E5-00293	PTO drive shaft	1	38SM1583

---

# Driving System

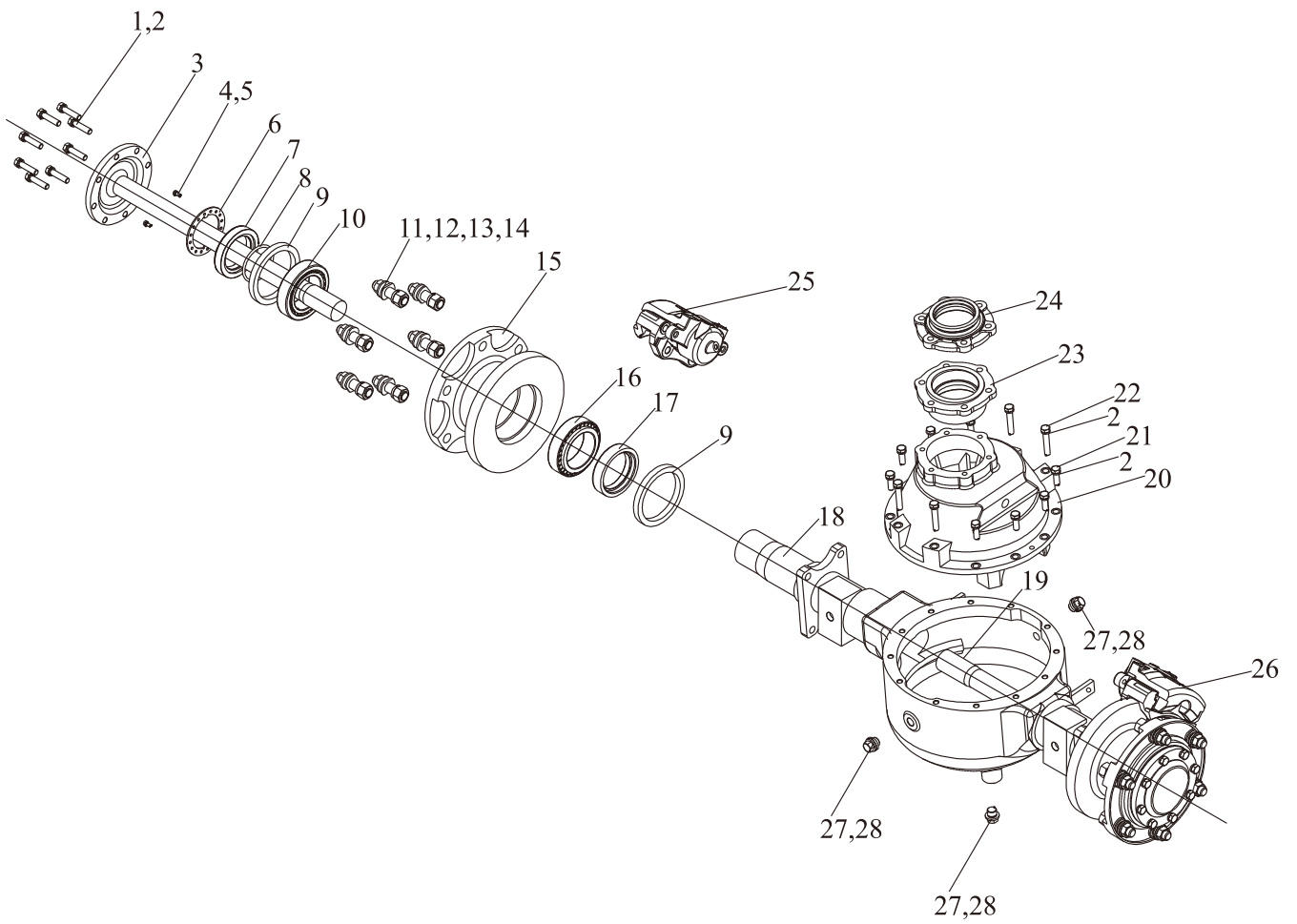


---

## Driving System

Item	Part No	Description	Q'ty	Remark
1	GB/T2982	(7.00-15-12PR) Tire	2	
2	T20T5-82000	Drive axle ass'y	1	
3	T20A5-82010	Wheel rim ass'y	2	
4	T20T5-80100	Tranmission shaft ass'y	1	
5	T20J5-70001	Tranmission shaft bolt	4	
6	GB/T97.1	10 Washer	4	
7	GB/T93	10 Washer,lock	4	
8	GB/T6171	M10 Nut	4	

# Drive axle

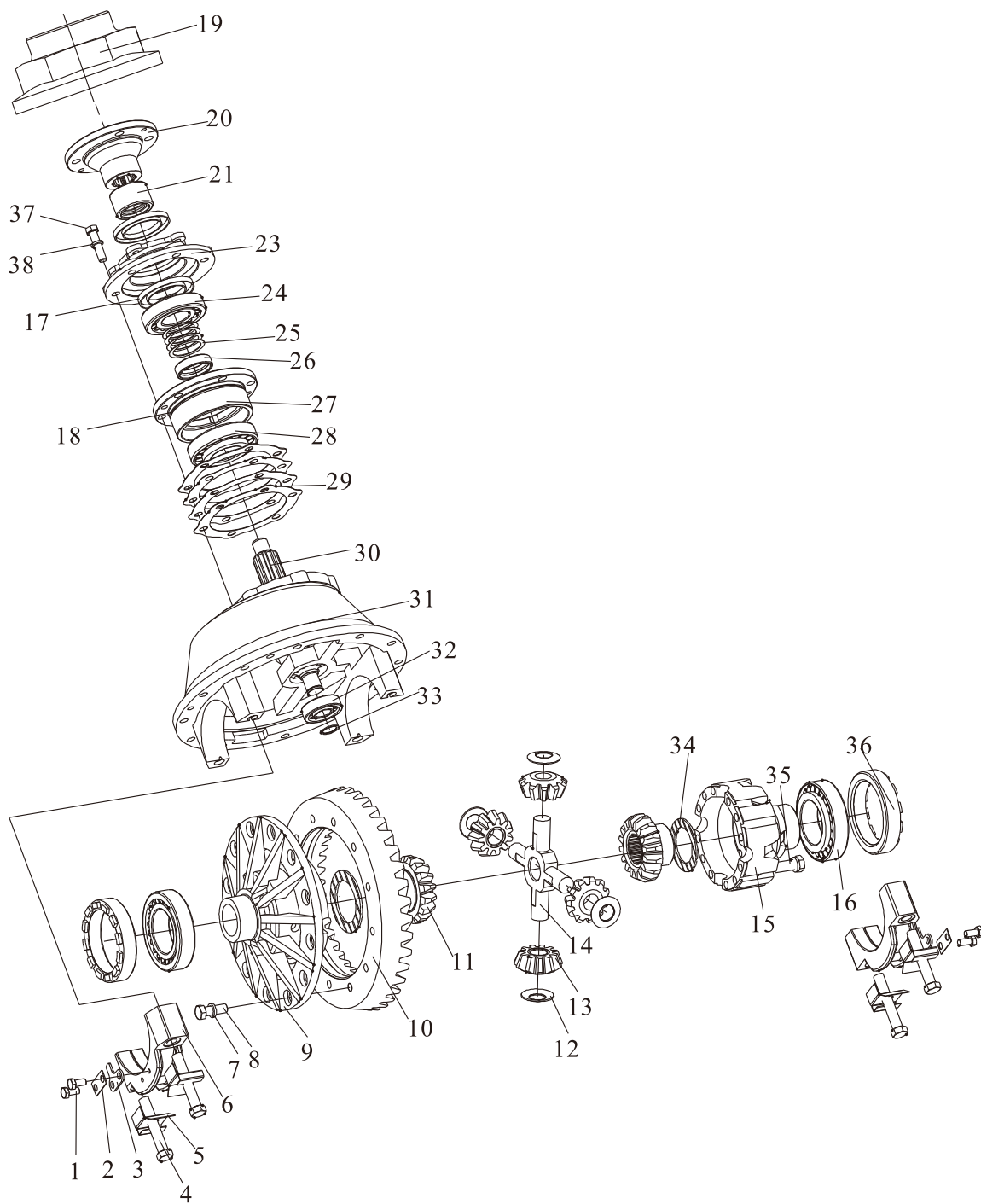


## Drive axle

Item	Part No	Description	Q'ty	Remark
1	T20T5-82001	M12×1.25×50 Bolt	28	H2000-014
2	GB/T93	12 Washer	40	
3	T20T5-82002	Left half shaft	1	Q300XT-000-001
4	GB/T93	6 Washer	4	
5	GB/T5783	M6×12 Bolt	4	
6	T20T5-82003	Lock piece	2	35H160004HC
7	T20T5-82004	115 Oil seal ring	2	450XT-00-01
8	GB/T3452.1	φ 77.5×5.3 O-ring	2	
9	GB/T13871.1	FB115×140×14	4	
10	GB/T297	33116 Bearing	2	
11	GB/T6171	M20×1.5 Nut	12	
12	GB/T93	20 Spring pad	12	
13	T20T5-82005	Wheel bolt	12	SC601-151103
14	T20T5-82006	Wheel nut	12	Q300XT-200-003
15	T20T5-82007	Lun Ngai	2	Q302XT-200-001
16	GB/T297	33017 Bearing	2	
17	T20T5-82008	Oil seal ring	2	Q302XT-200-002
18	T20T5-82010	Pontoon	1	Q302XT-100-000
19	T20T5-82009	Right half shaft	1	Q300XT-000-002
20	T20T5-82020	Main subtraction assembly	1	Q300XT-400-000
21	GB/T5782	M12×35 Bolt	8	
22	GB/T5782	M12×65 Bolt	4	
23	T20T5-82011	Bearing block	1	5070HC-03-17
24	T20T5-82012	Handbrake bracket	1	05105003
25	T20T5-82030	Disc brake (L)	2	3501QA-010
26	T20T5-82040	Disc brake (R)	2	3501QA-020
27	JB/T1000	M20×1.5 Outer hexagon plug	3	
28	JB/T982	20 Washer	3	



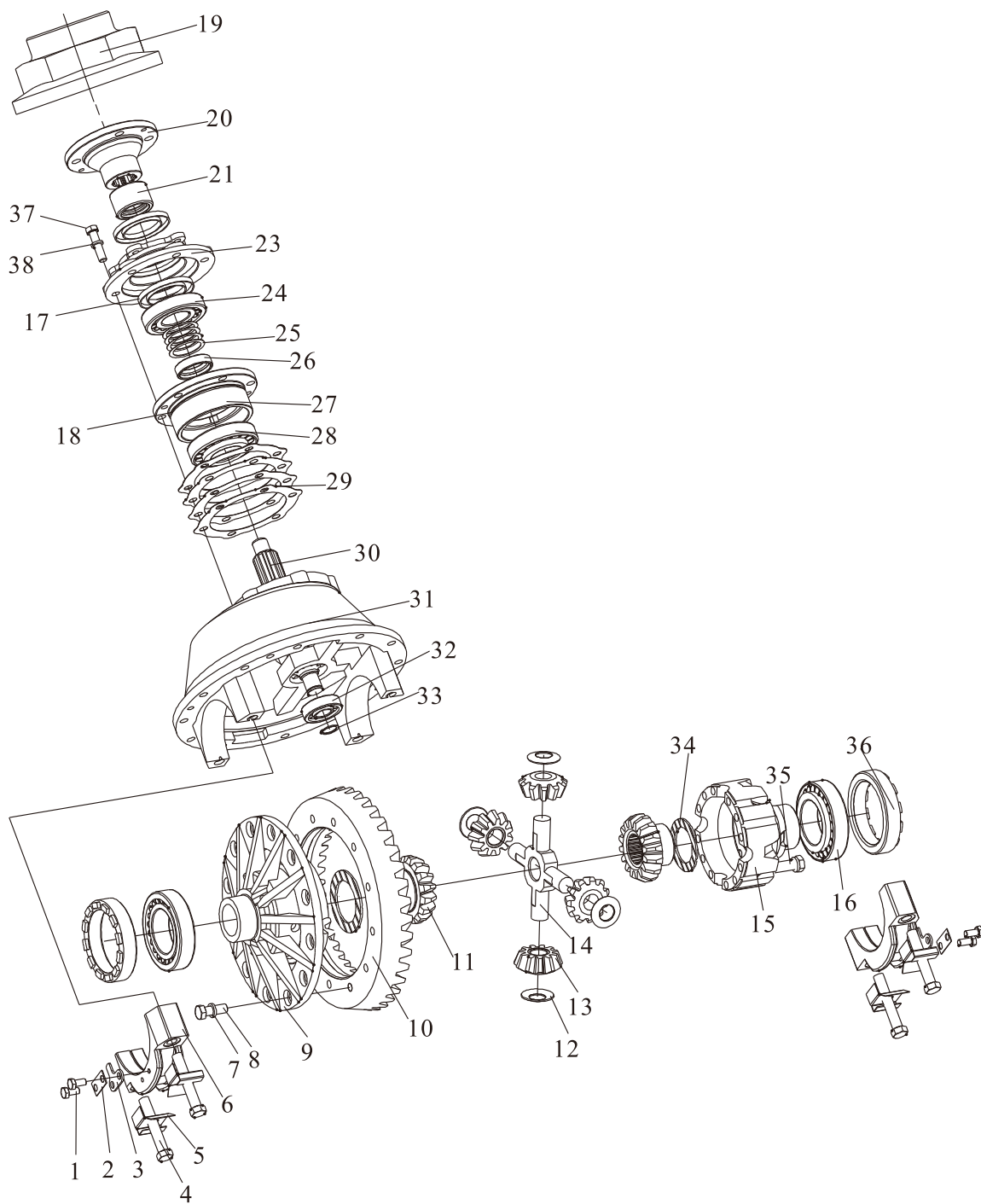
# Main reducer ass'y



## Main reducer ass'y

Item	Part No	Description	Q'ty	Remark
1	GB/T5783	M10×20 Bolt	4	
2	T20T5-82020-1	Thrust pad	2	XQP070.1-2
3	T20T5-82020-2	Lock pad	2	XQP070.1-3
4	GB/T16674.2	M16×95 Bolt	4	
5	T20T5-82020-3	Lock piece	4	XQP70.1-21
6	T20T5-82020-4	Bearing cap	2	XQP70.1-20
7	GB/T93	14 Washer	12	
8	GB/T5785	M14×1.5×40 Bolt	12	
9	T20T5-82020-5	Right differential housing	1	XQP070.1-16
10	T20T5-82020-6	Driven wheel	1	Q300XT-400-002
11	T20T5-82020-7	Shaft gear	2	XQP070.1-19
12	T20T5-82020-8	Washer	4	XQP070.1-7
13	T20T5-82020-9	Differential planetary gear	4	XQP070.1-6
14	T20T5-82020-10	Cross shaft	1	XQP070.1-1
15	T20T5-82020-11	Left differential housing	1	XQP070.1-5
16	GB/T297	32214 Bearing	2	
17	T20T5-82020-12	Washer	1	QTP070.1-14
18	GB/T1235	125×3.1 O-ring	1	
19	T20T5-82020-13	Washer	1	5070HC00-03-21
20	T20T5-82020-14	Francois	1	Q300XT-000-004
21	T20T5-82020-15	Spacer sleeve	1	XQP70.1-10
22	GB/T9872.1	Fb60×90×8 Oil seal	2	GB/T9872.1
23	T20T5-82020-16	Handbrake bracket	1	XQP070.1-11
24	GB/T297	30309 Bearing	1	
25	T20T5-82020-17	Adjustment sheet	4	XQP070.1-13
26	T20T5-82020-18	Washer	1	XQP070.1-14
27	T20T5-82020-19	Bearing block	1	XQP070.1-18
28	GB/T297	30310 Bearing	1	
29	T20T5-82020-20	Shim	4	XQP070.1-12
30	T20T5-82020-21	Gear wheel	1	Q300XT-400-001

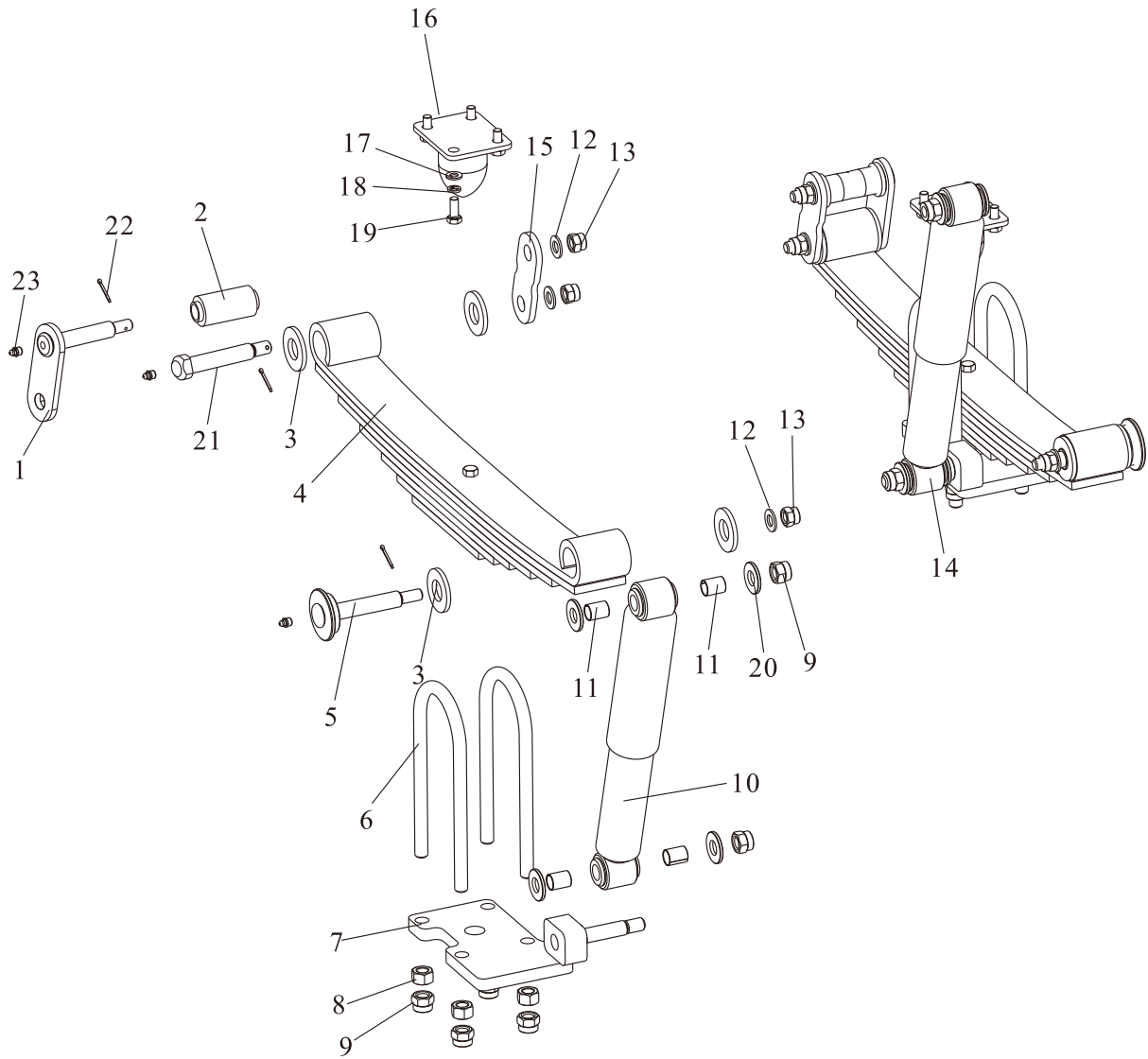
# Main reducer ass'y



Main reducer ass'y

Item	Part No	Description	Q'ty	Remark
31	T20T5-82020-22	Retarder housing	1	XQP070.1-17
32	GB/T283	102605 Bearing	1	
33	GB/T894.1	25 Washer	1	
34	T20T5-82020-23	Washer	2	XQP070.1-18
35	GB/T32.1	M12×1.25×85 Bolt	12	GB/T32.1
36	T20T5-82020-24	Nut	2	XQP070.1-4
37	GB/T5782	M12×50 Bolt	6	
38	GB/T93	12 Washer	1	

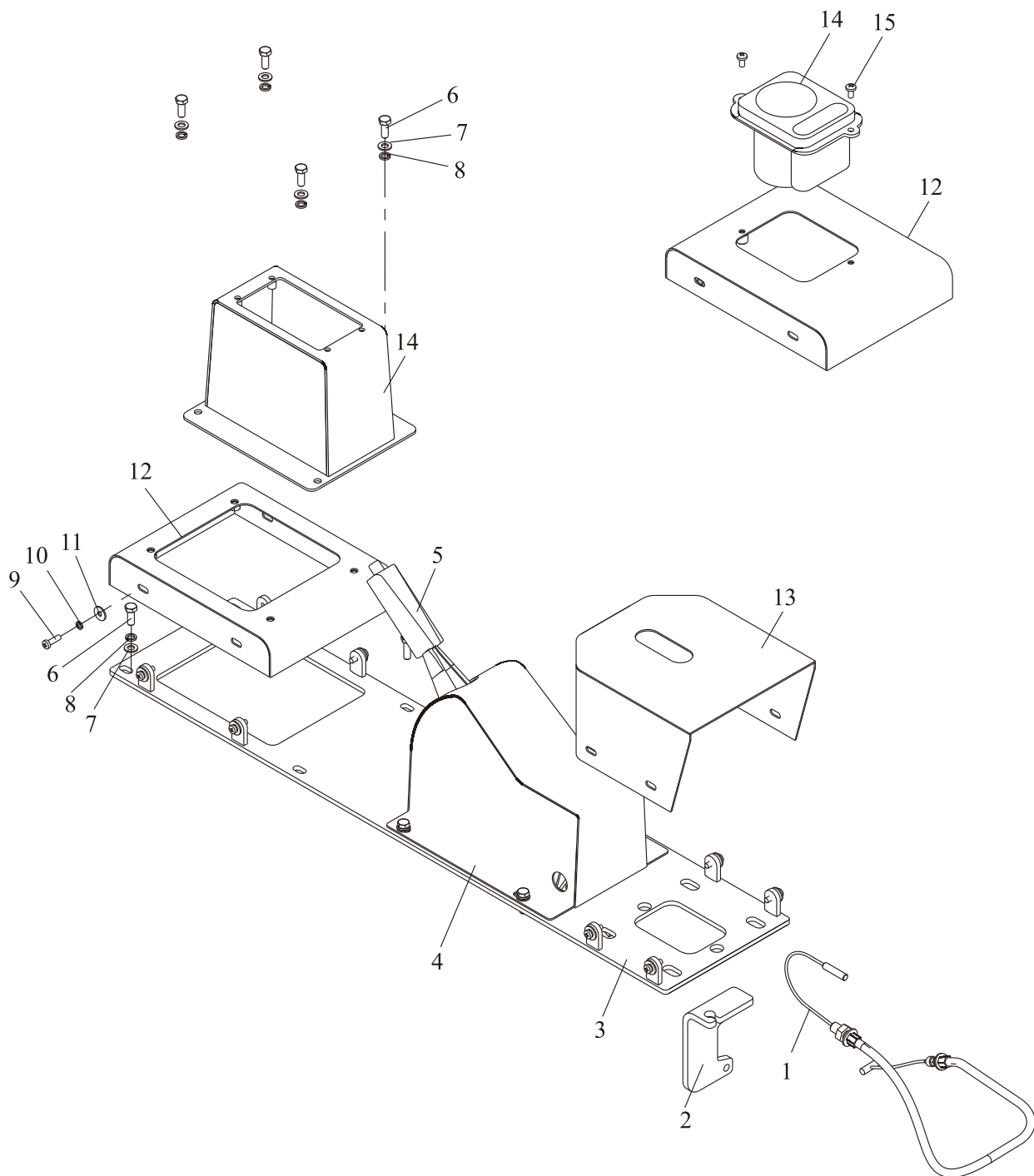
# Rear suspension



## Rear suspension

Item	Part No	Description	Q'ty	Remark
1	T25M9-02000	Pin	2	
2	T25N9-00001	Bushing	2	
3	T25M9-00009	Nylon gasket	8	
4	T20A9-00400	Spring	2	
5	T20A9-07000	Pin	2	
6	T20A9-00001	Bolt	4	
7	T20A9-00100R	Spring Seat(R)	1	
8	GB/T 6170	M16 Nut	8	
9	GB/T 889.1	M16 Nut	8	
10	T20G9-00200	Rear shock absorber	2	
11	SF-1-1825	Bearing	8	
12	GB/T 97.1	16 Washer	10	
13	GB/T 889.1	M16×1.5 Nut	10	
14	T20A9-00100L	Spring Seat(L)	1	
15	T25M9-00012	II Plate	2	
16	T20A9-00008	Cushion	2	
17	GB/T 97.1	10 Washer	8	
18	GB/T 93	10 Washer,lock	8	
19	GB/T 5783	M10×25 Bolt	8	
20	T20A9-00004	Gasket	8	
21	T25M9-00013	Pin	2	
22	GB/T 91	3.2×22 Pin	6	
23	GB/T 7940.1	M10×1 Oil cup	6	

# Parking brake control



## Parking brake control

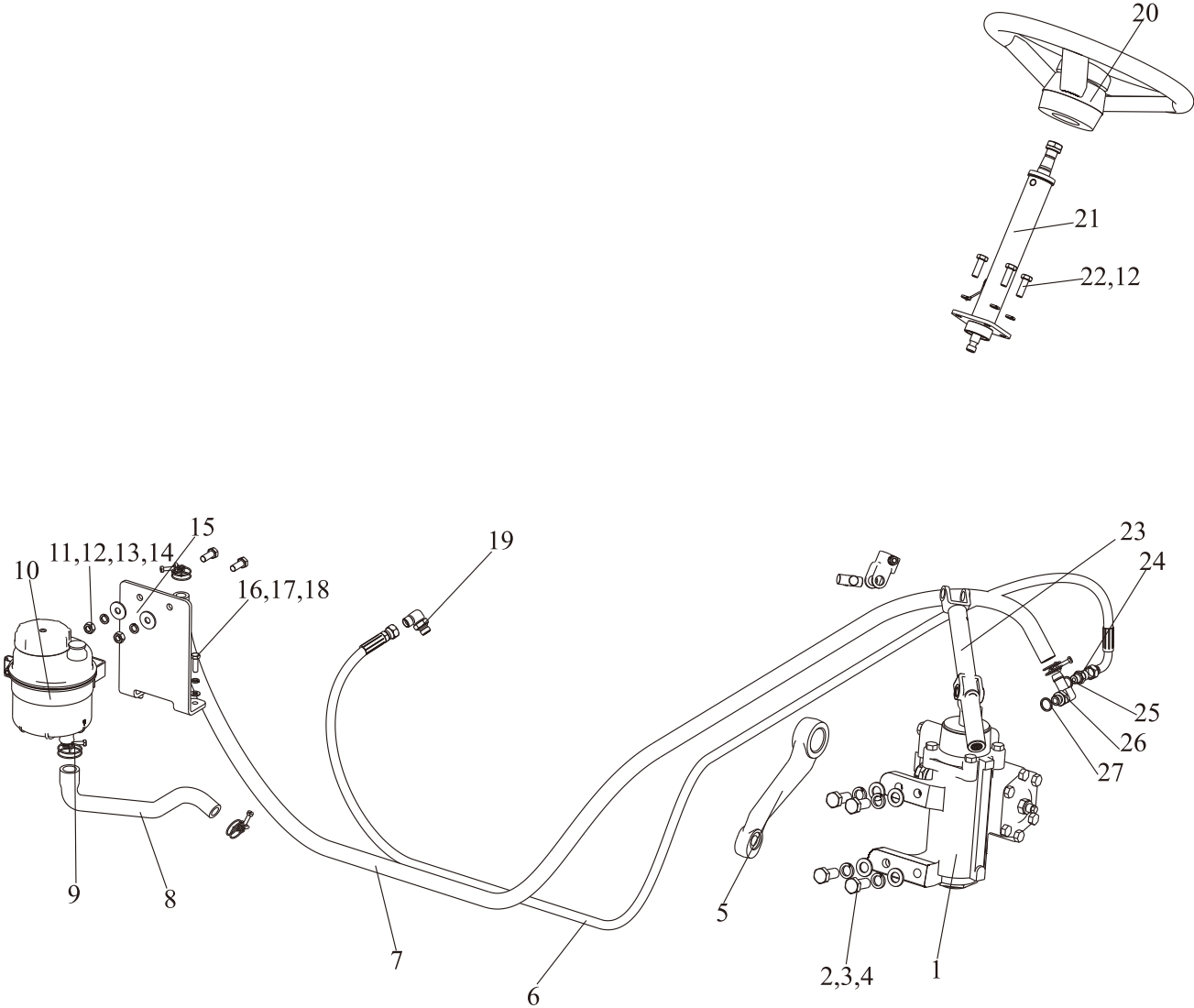
Item	Part No	Description	Q'ty	Remark
1	T20A7-20700	Hand brake cable	1	
2	T20A7-40002	Hand brake bracket	1	
3	T20A7-41800	Backplane assembly	1	
4	T20A7-41700	Case	1	
5	T20A7-41500	Hand brake	1	
6	GB/T 5783	M8×20 Bolt	12	Williams combination switch selection
-	GB/T 5783	M8×20 Bolt	8	Ou open combination switch selection
7	GB/T 97.1	8 Washer	12	Williams combination switch selection
-	GB/T 97.1	8 Washer	8	Ou open combination switch selection
8	GB/T 93	8 Washer , lock	12	Williams combination switch selection
-	GB/T 93	8 Washer , lock	8	Ou open combination switch selection
9	GB/T 823	M6×20 Screw	1	
10	GB/T 93	6 Washer , lock	9	
11	GB/T 96	6 Washer , lock	5	
12	T20A7-41600	Mounting plate ass'y	1	Williams combination switch selection
-	T20A7-42100	Mounting plate ass'y	1	Ou open combination switch selection
13	T20A7-41000	Case	1	
14	T20A7-40800	Switch mounting plate ass'y	1	Williams combination switch selection
-	D30PI1-20003	Tool box	1	Ou open combination switch selection
15	GB/T 818	M6×12 Screw	1	Ou open combination switch selection



---

### III、 STEERING SYSTEM

Steering system

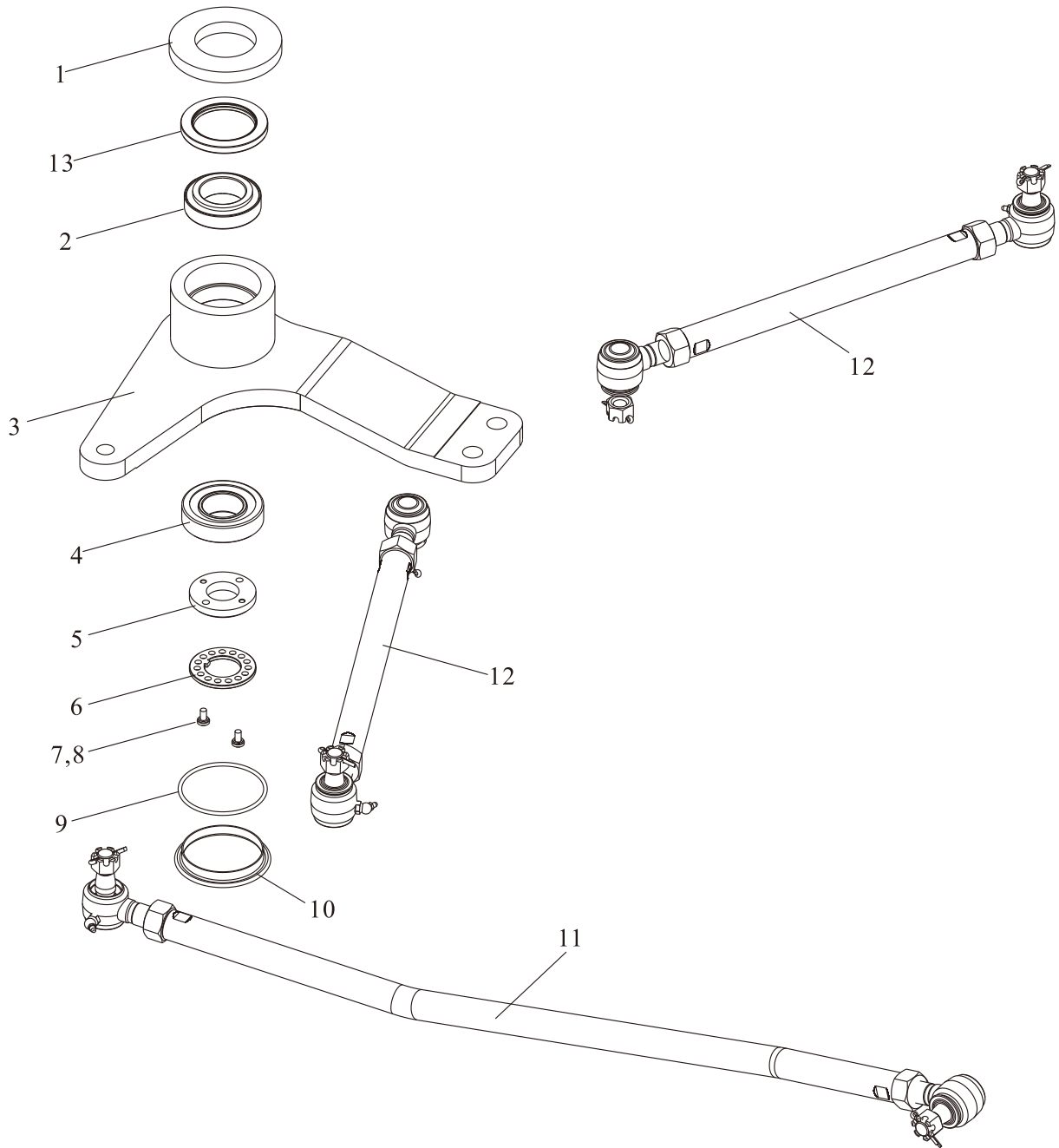


## Steering system

Item	Part No	Description	Q'ty	Remark
1	T20A6-01400	Power steering assembly	1	
2	GB/T 5786	M16×1.5×35 Bolt	4	
3	GB/T 93	16 Washer,lock	4	
4	GB/T 97.1	16 Washer	4	
5	T20A5-01301	Rocker arm	1	
6	T20T6-00100	High Pressure Hose	1	
7	TGYRY-16240	16×2400 Oil resistant hose	1	
8	T20T6-00003	Oil suction tube	1	
9	8JC18-03804	38×34 Clip	1	
10	T20A6-01900	Steering oil can	1	
11	GB/T 6170	M10 Nut	2	
12	GB/T 93	10 Washer,lock	6	
13	GB/T 96	10 Washer	2	
14	GB/T 5783	M10×25 Bolt	2	
15	T20T6-00002	Oil tank supportor	1	
16	GB/T 5783	M8×25 Bolt	2	
17	GB/T 93	8 Washer,lock	2	
18	GB/T 97.1	8 Washer	2	
19	GJT-356-00	Right-angle connector	1	
20	T20G6-00400	(350) Steering Wheel	1	Selection criteria
-	T25M6-00100	(350) Steering Wheel	1	Pick the dribble head
21	T20A6-00100	Steering Column	1	
22	GB/T5783	M10×30 Bolt	4	
23	T20A6-00200	Steering drive shaft ass'y	1	
24	GJT-641-00	Right-angle connector	1	
25	DQ-M140G	M14 Retaining ring	1	
26	GJT-146-00	Right-angle connector	1	
27	DQ-M160G	M16 Retaining ring	1	
28	8JC18-03005	30×25 Clip	3	

---

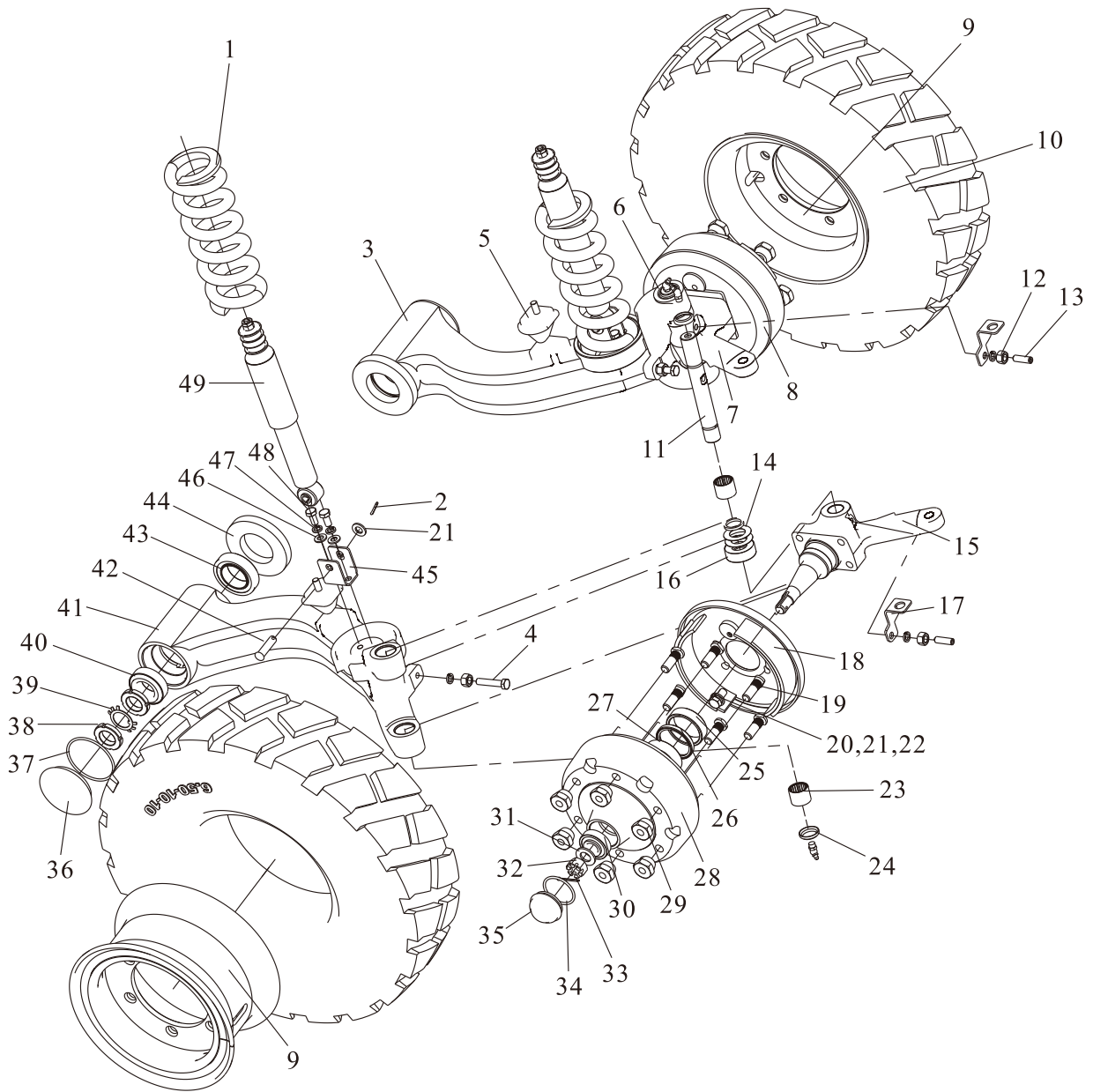
# Steering linkage



## Steering linkage

Item	Part No	Description	Q'ty	Remark
1	T20A6-20003	Felt seal	1	
2	HR32009XJ	Bearing	1	
3	T20A6-20400	Rocker	1	
4	HR32208J	Bearing	1	
5	T20A6-20001	Nut-lock	1	
6	T20A6-20002	Washer-lock	1	
7	GB/T 818	M6×12 Screw	2	
8	GB/T 93	6 Washer , lock	2	
9	GB/T 3452.1	80×1.8 O-Ring	1	
10	T20A6-10005	Cap-hub	1	
11	T20A6-20200	Longitudinal rod Assembly	1	
12	T20A6-20300	Rod assy-tie	2	
13	TC60-85-8	Skeleton oil seal	1	

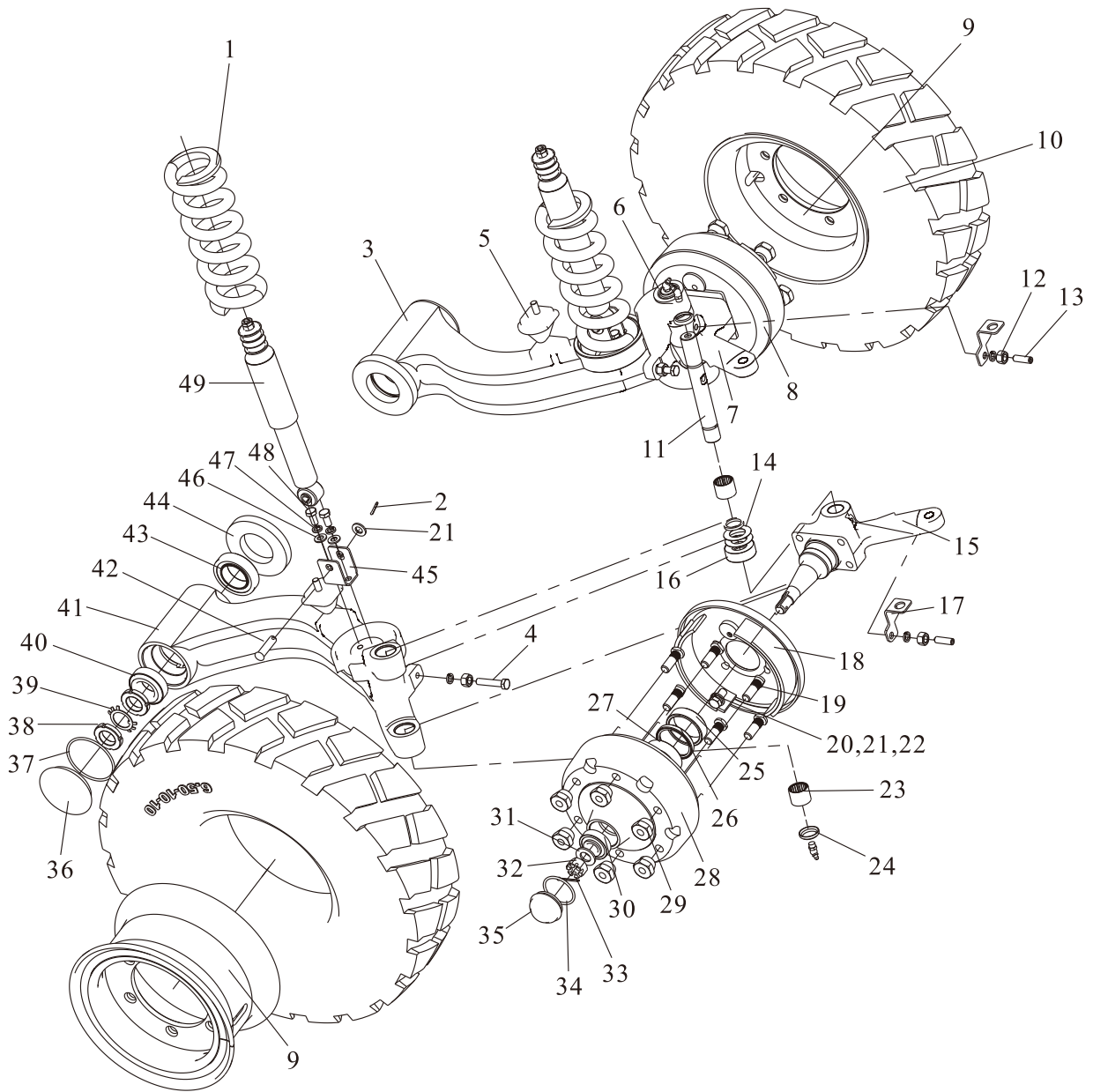
# Steering axle mounting



## Steering axle mounting

Item	Part No	Description	Q'ty	Remark
1	T20A6-10033	Spring	2	
2	GB/T 91	3.2×22 Pin	2	
3	T20A6-10017	Right cantilever	1	
4	GB/T 5785	M10×1.25×50×26 Bolt	2	
5	T20A6-10020	Gasket	2	
6	JB/T 7940.2	M10×1 Oil Cup	4	
7	T20A6-10030	Knuckle (R)	1	
8	T20A6-14000	Right front brake	1	
9	T20A6-13100	5.00F-10 Front rim ass'y	2	
10	GB/T2982	6.50-10-10PR Tire	2	
11	T20A6-10014	Pin	2	
12	GB/T 6171	M12×1.25 Nut	4	
13	T20A6-10023	Screw	2	
14	T20A6-10012	Washer	4	
15	T20A6-10029	Knuckle(L)	1	
16	25TAG12C	Bearing	2	
17	T20A6-10016	Left Supportor	2	
18	T20A6-12000	Left front brake	1	
19	T20A6-10007	Bolt	12	
20	GB/T 5786	M12×1.25×25 Bolt	8	
21	GB/T 97.1	12 Gasket	10	
22	GB/T 93	12 Washer,lock	8	
23	F-2526	Bearing	4	
24	T20A6-10021	Dust Ring	4	
25	T20A6-00610	Septum	2	
26	TC55X65X8	Oil Seal	2	
27	LM48510 LM48548	Bearing	2	
28	T20A6-10028	Front hub	2	
29	T20A6-10010	Nut	12	
30	33205	Bearing	2	

# Steering axle mounting





## Steering axle mounting

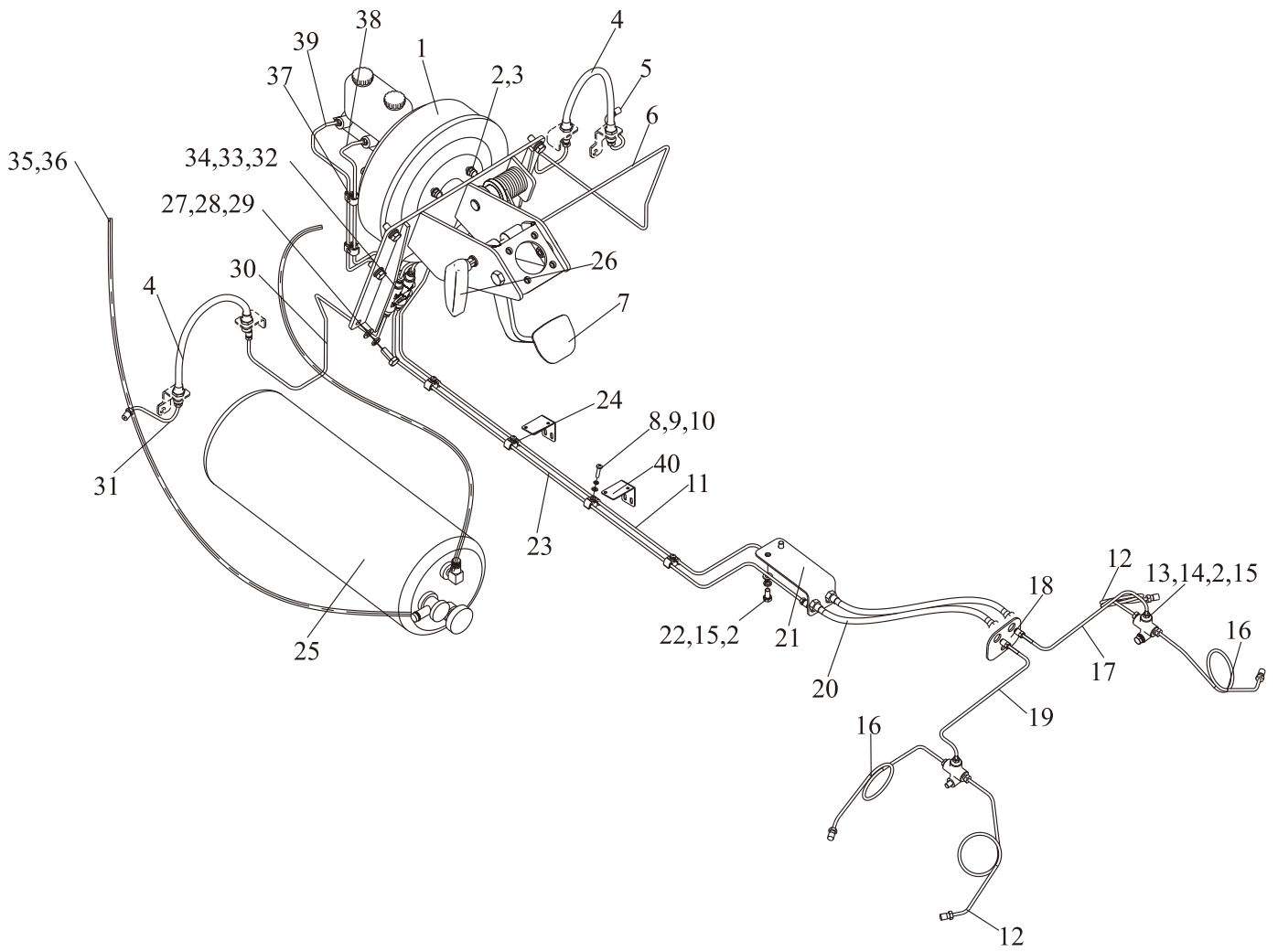
Item	Part No	Description	Q'ty	Remark
31	GB/T 97.1	18 Washer	2	
32	T20A6-10022	M18×1 Nut	2	
33	GB/T 91	4×30 Pin	2	
34	GB/T 3452.1	47.5×1.8 O-ring	2	
35	T20A6-10032	Wheel cover	2	
36	T20A6-10005	Cantilever hood	2	
37	GB/T 3452.1	80×1.8 O-ring	2	
38	GB/T 812	M30×1.5 Nut	4	
39	GB/T 858	30 Washer	2	
40	HR 33007 J	Bearing	2	
41	T20A6-10003	Left cantilever	1	
42	GB/T 882	12×45 Pin	2	
43	HR 32009 XJ	Bearing	2	
44	T20A6-10027	Felt gasket	2	
45	T20A6-10002	Supportor	2	
46	GB/T 97.1	10 Washer	4	
47	GB/T 93	10 Washer,lock	8	
48	GB/T 5785	M10×1.25×20 Bolt	4	
49	T20A6-11000	Front Shock absorbers	2	

---

## IV、 BRAKE SYSTEM

---

Brake control mounting

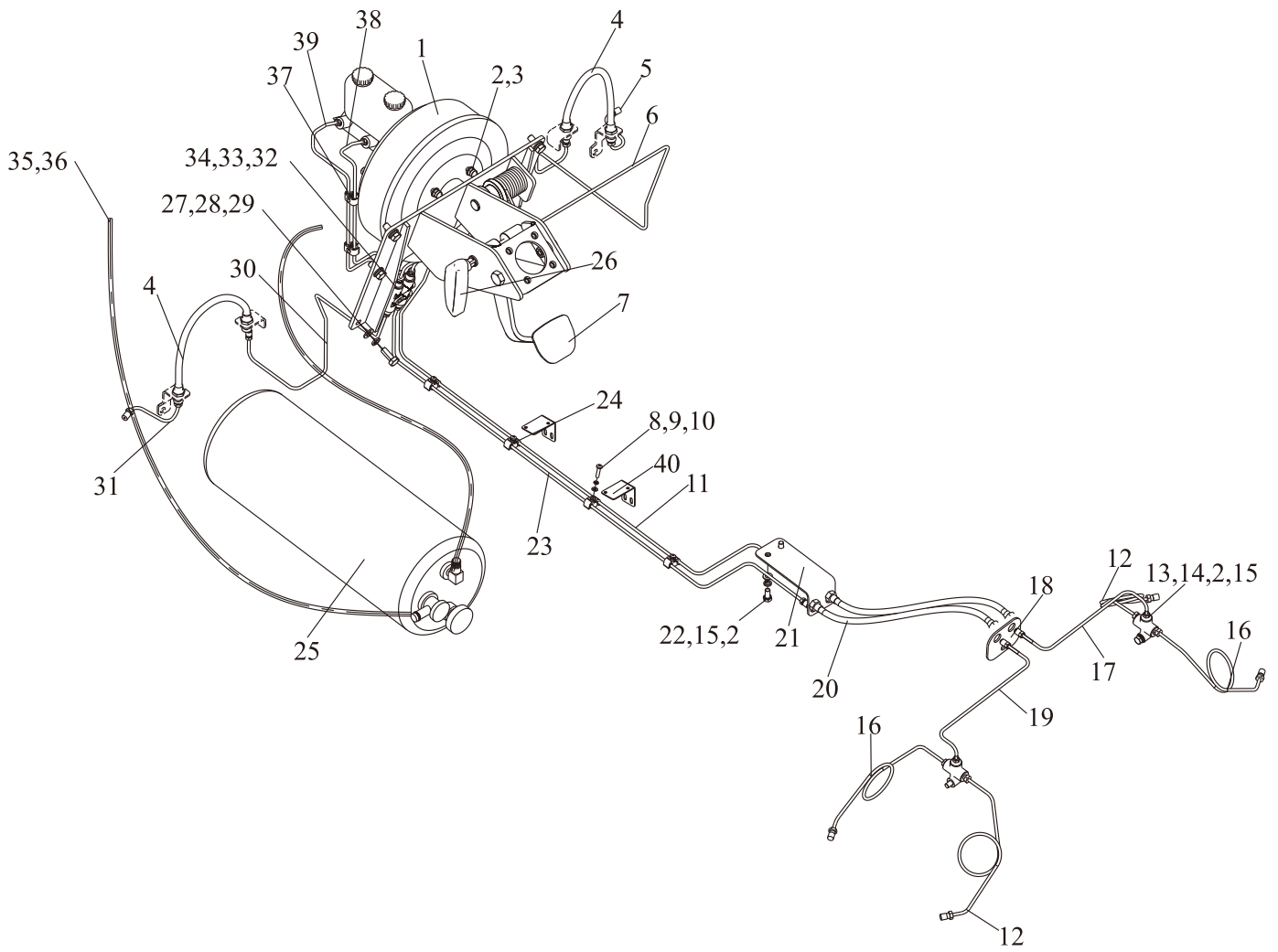


## Brake control mounting

Item	Part No	Description	Q'ty	Remark
1	T25C7-10700	Vacuum booster	1	
2	GB/T 97.1	8 Washer	12	
3	GB/T 889.1	M8 Nut	6	
4	T20A7-14003	Front brake hose	2	
5	T20A7-14005	II Right Front brake pipe	1	
6	T20T7-10001	Brake pipe	1	
7	T20T7-11000	Brake Assembly	1	
8	GB/T 818	M5×20 Screws	4	
9	GB/T 93	5 Washer,lock	4	
10	GB/T 97.1	5 Washer	4	
11	T20G7-14011	I Brake pipe	1	
12	T20G7-10005	I Rear brake steel pipe	2	
13	A45G7-10003	Tee joint	2	
14	GB/T 5783	M8×35 Bolt	2	
15	GB/T 93	8 Washer,lock	4	
16	T20G7-10006	II Rear brake steel pipe	2	
17	T20T7-10005	Rear middle brake steel pipe (R)	1	
18	T20A7-14028	II Rear brake hose bracket	1	
19	T20T7-10004	Rear middle brake steel pipe (L)	1	
20	T20A7-14010	Rear brake hose	2	
21	T20A4-14013	I Rear brake hose bracket	1	
22	GB/T 5783	M8×16 Bolt	4	
23	T20G7-14012	II Brake pipe	1	
24	T20A7-10012	4. 5 Clasp	4	
25	T20G7-10410	Vacuum tank	1	
26	T20R7-10100	Lock handle assembly	1	
27	GB/T5783	M10×25 Bolt	6	
28	GB/T93	10 Washer,lock	6	
29	GB/T97.1	10 Washer	6	
30	T20G7-14013	I Left front brake steel pipe	1	

---

Brake control mounting



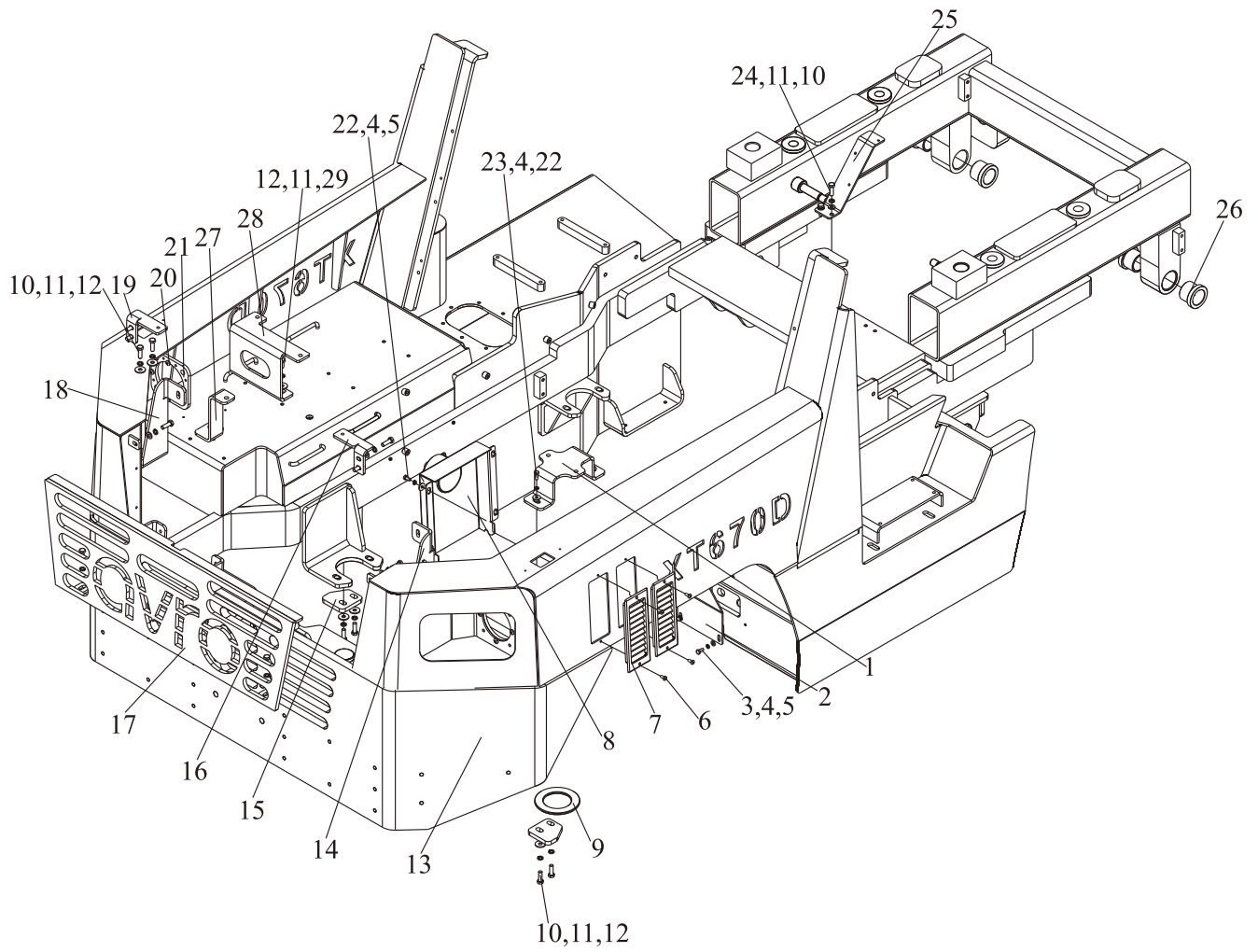
## Brake control mounting

Item	Part No	Description	Q'ty	Remark
31	T20A7-14002	II Left front brake steel pipe	1	
32	T20G7-10014	Transition joint	6	
33	T20G7-10015	Copper washer	6	
34	T20G7-10009	Proportional valve	1	
35	QC/T621	14.5 Hoop	4	
36	T20G7-10011	Silicone tube	2m	
37	T20A7-10011	4.8 Clasp	2	
38	T20T7-10002	B Steel tube	1	
39	T20T7-10003	A Steel tube	1	
40	T20A4-10017	I Clamping plate	2	

---

## V、BODY SYSTEM

Frame ass'y

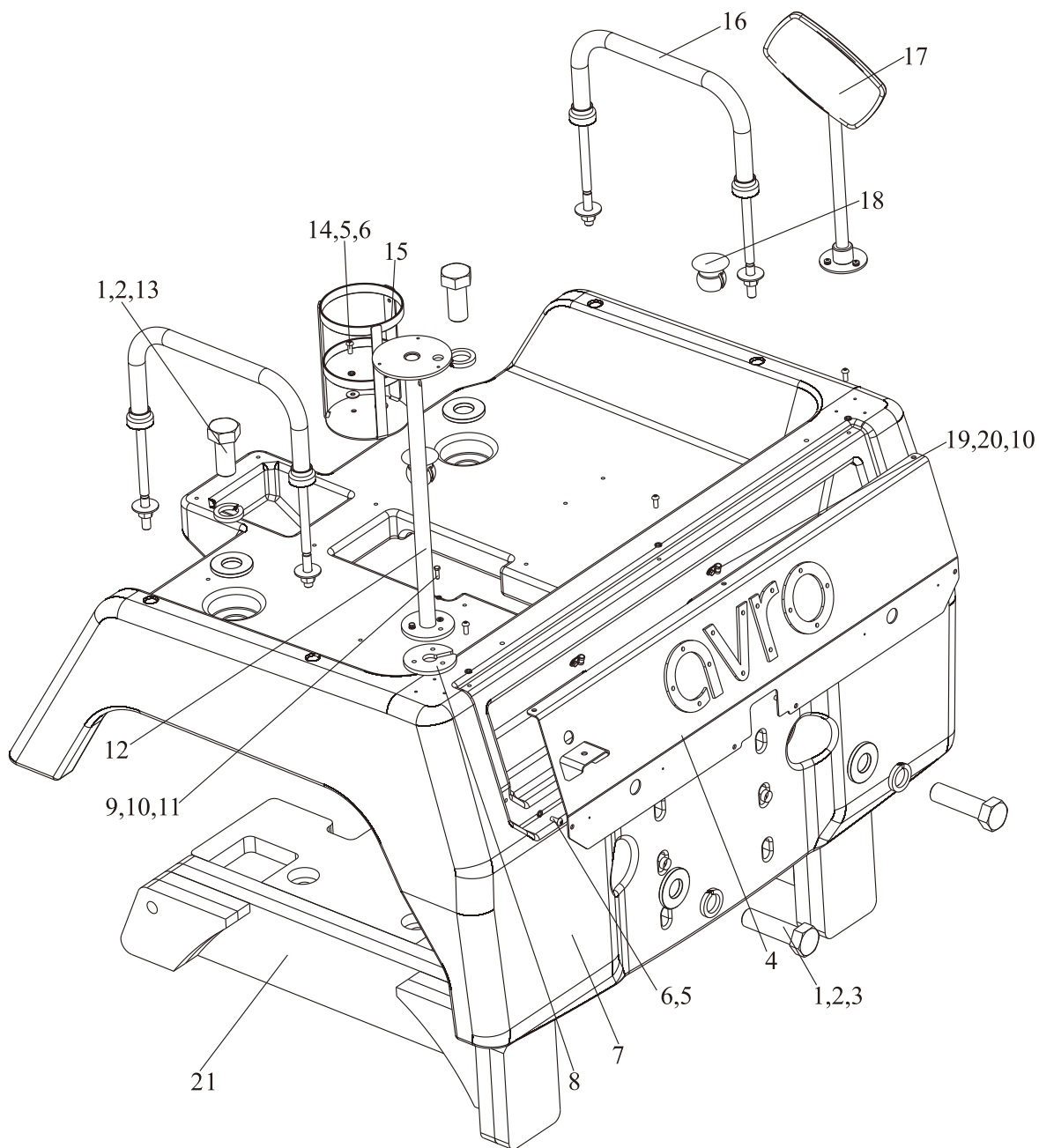




Frame ass'y

Item	Part No	Description	Q'ty	Remark
1	T20G1-10004	Air filter bracket	1	
2	T20A1-10002	Cover Plate	1	
3	GB/T 97.1	6 Washer	4	
4	GB/T 93	6 Washer,lock	10	
5	GB/T 5783	M6×12 Bolt	8	
6	GB/T 818	M5×12 Screw	4	
7	D30PI1-30001	Inlet window	2	
8	T20G1-20120	Suction hood ass'y	1	
9	T25C1-10021	Washer	2	
10	GB/T 5783	M8×25 Bolt	18	
11	GB/T 93	8 Washer,lock	21	
12	GB/T 96	8 Washer	11	
13	T20T1-11000	Chassis Ass'y	1	Cab
-	T20T1-13000	Chassis Ass'y	1	Cabriolet
14	T20J1-11500L	Radiator left stand ass'y	1	
15	T20A1-10001	Retainer	2	
16	T20A1-10012L	Grid bracket left	1	
17	T20G1-13700	Grille ass'y	1	
18	T20J1-11500R	Radiator right stand ass'y	1	
19	T20A1-10012R	Grid bracket right	1	
20	GB/T818	M6×12 Screw	8	
21	T20A1-20104	Headlight plate	2	
22	GB/T96	6 Washer	6	
23	GB/T5783	M6×16 Bolt	2	
24	GB/T 97.1	8 Washer	10	
25	T20A1-10018	Cable plate	1	
26	T20A1-10019	Plate spring rear lining	4	
27	T20G1-10008	II Expansion tank support	1	
28	T20G1-10007	I Auxiliary water tank support	1	
29	GB/T 5783	M8×16 Bolt	3	

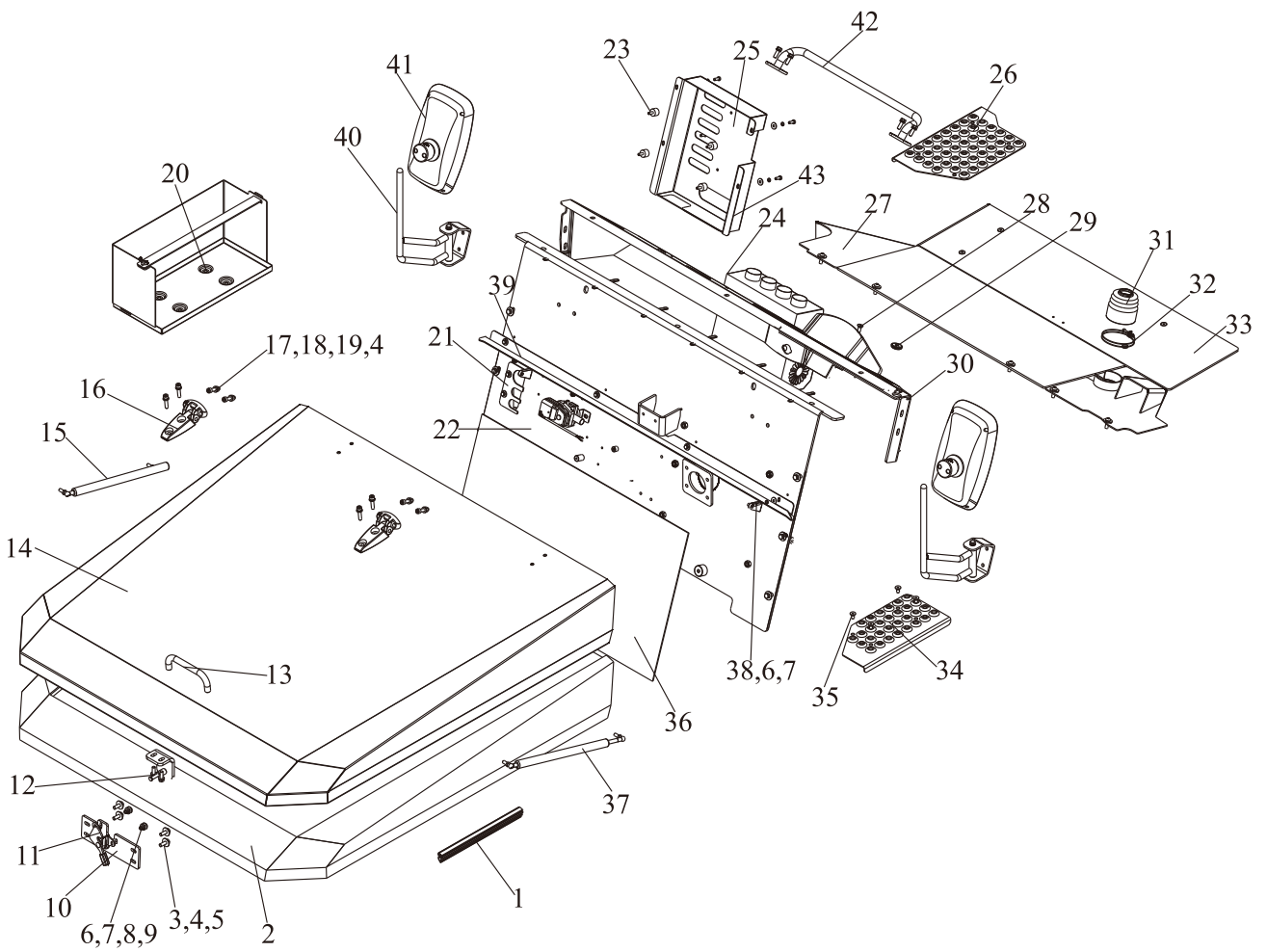
# Weight mounting



## Weight mounting

Item	Part No	Description	Q'ty	Remark
1	D30C1-50004	Washer	4	
2	GB/T 93	36 Washer,lock	4	
3	GB/T 5782	M36×130×70 Bolt	2	
4	T20L1-50100	Balance weight plate	1	Cabriolet
-	T20G1-50005	Balance weight plate	1	Cab
5	GB/T93	8 Washer,lock	9	
6	GB/T70.2	M8×20 Screw	9	
7	T20A1-50001	Balance weight	1	
8	T20A1-50010	Base plate	1	Cabriolet
9	GB/T5783	M6×20 Bolt	3	
10	GB/T93	6 Washer,lock	5	
11	GB/T97.1	6 Washer	3	
12	T20A1-51500	Bracket gp-warning light	1	Cabriolet
13	GB/T 5782	M36×80×70 Bolt	2	
14	GB/T 96	8 Washer	2	
15	T20A1-50610	Fire extinguisher stents	1	
16	T20A1-50300	Safety railings installation	2	Cabriolet
17	T20A1-50400	Mirror assembly	1	Cabriolet
18	D30A1-50002	Decorative covers	2	
19	8JF08-01015	Φ 10 Clamp	2	
20	GB/T 5783	M6×12 Bolt	2	
21	T20D1-50800	Under weight	1	

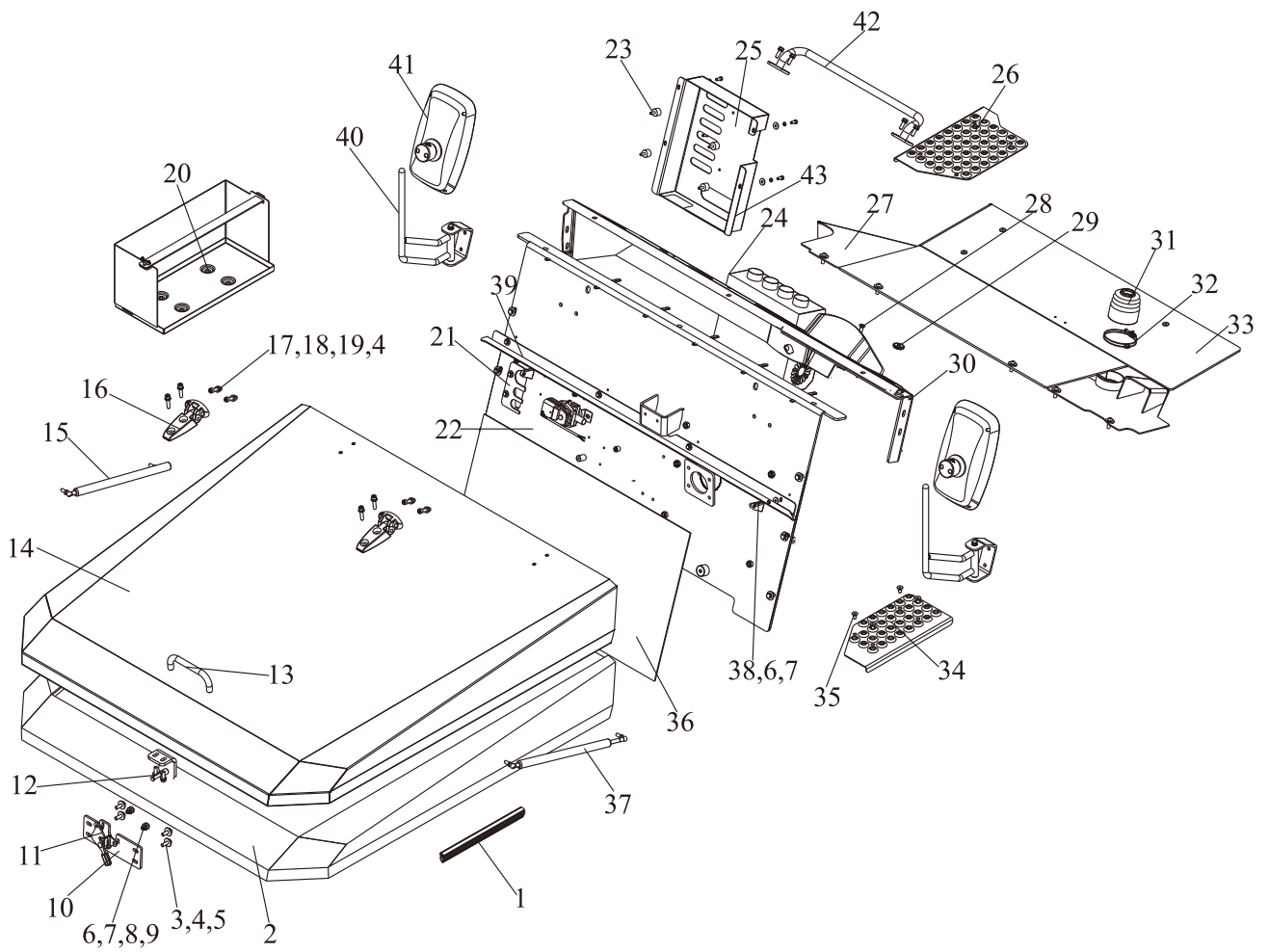
## Covering parts installation



## Covering parts installation

Item	Part No	Description	Q'ty	Remark
1	D30A1-20007	Seal strip	1	
2	T20G1-20011	Heat-insulation wool	1	
3	GB/T 5783	M8×25 Bolt	18	
4	GB/T 93	8 Washer,lock	30	
5	GB/T 96	8 Washer	16	
6	GB/T 96	6 Washer	12	
7	GB/T 93	6 Washer,lock	10	
8	GB/T 6170	M6 Nut	2	
9	GB/T 5783	M6×20 Bolt	2	
10	T20A1-21521	Engine cover plate	1	
11	T20A1-21800	Cover lock	1	
12	T20A1-20910	Lock ass'y	1	
13	T20G1-20003	Handle	1	
14	T20A1-20700	Engine cover ass'y	1	
15	D45A1-20006	Gas spring	1	
16	T20G1-20900	Hinge ass'y	2	
17	GB/T 70.1	M8×35 Screw	8	
18	GB/T 6170	M8 Nut	4	
19	GB/T 97.1	8 Washer	18	
20	T20G5-10400	Battery case ass'y	1	
21	T20T1-20001	Fixed plate	1	
22	T20T1-20500	Instrument ass'y	1	Cabriolet
-	T20T1-20100	Instrument ass'y	1	Cab
23	D22A1-10004	Cushion	4	
24	T20G1-22200	Warm air blower	1	Cab
25	T20T1-20600	Protective cover	1	Cabriolet
-	T20T1-20300	Protective cover	1	Cab
26	T20G1-20002	Anti-skid Pedal	1	
27	T20T1-20200	Floor	1	
28	GB/T70.3	M8×20 Screw	3	

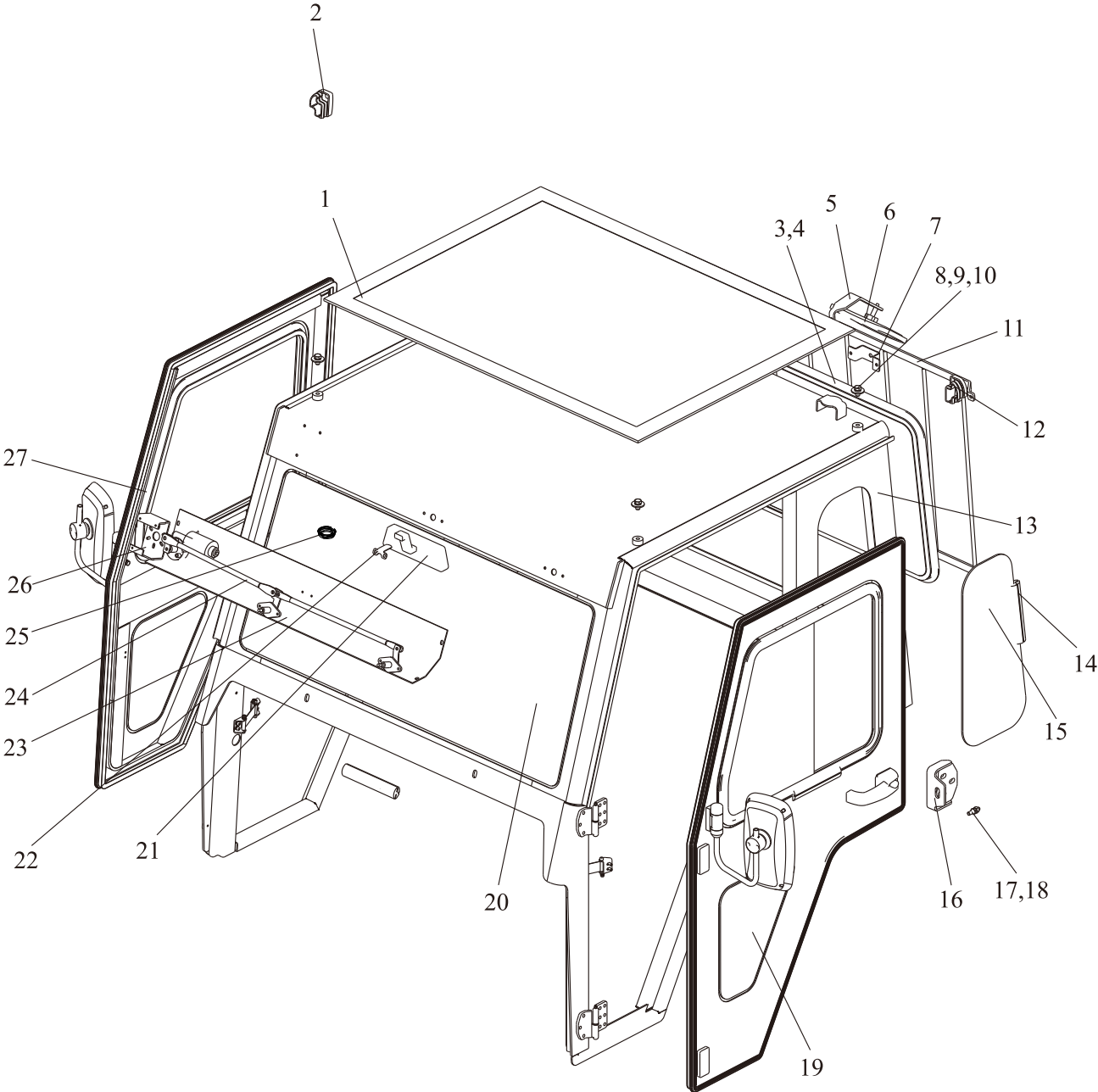
# Covering parts installation



## Covering parts installation

Item	Part No	Description	Q'ty	Remark
29	D15G1-30001	Outlet retainer	1	
30	T20A1-20270	Instrument Panel Ass'y	1	Cabriolet
-	T20L1-20230	Instrument Panel Ass'y	1	Cab
31	T20A1-40901	Shaft sleeve	1	
32	8JC18-09010	90×80 Double steel clamp	1	
33	T20A1-20024	Floor mat	1	
34	T20A1-20007	Anti-skid Pedal	1	Cabriolet
-	T20G1-20007	Anti-skid Pedal	1	Cab
35	GB/T70.3	M8×16 Screw	8	
36	T20A1-20016	Insulation pad	2	
37	T20G1-20005F	Gas spring	1	
38	GB/T5783	M6×16 Bolt	8	
39	T20T1-20400	Water baffle assembly	1	
40	T25J1-20800	Reverse mirror bracket	2	Cabriolet
41	T20A1-40500	Rearview mirror	2	Cabriolet
42	T20G1-42000	Rear seat armrest assembly	1	Cabriolet
43	T20T1-20002	40×83 Outlet rubber ring	1	Cabriolet

Cab mounting

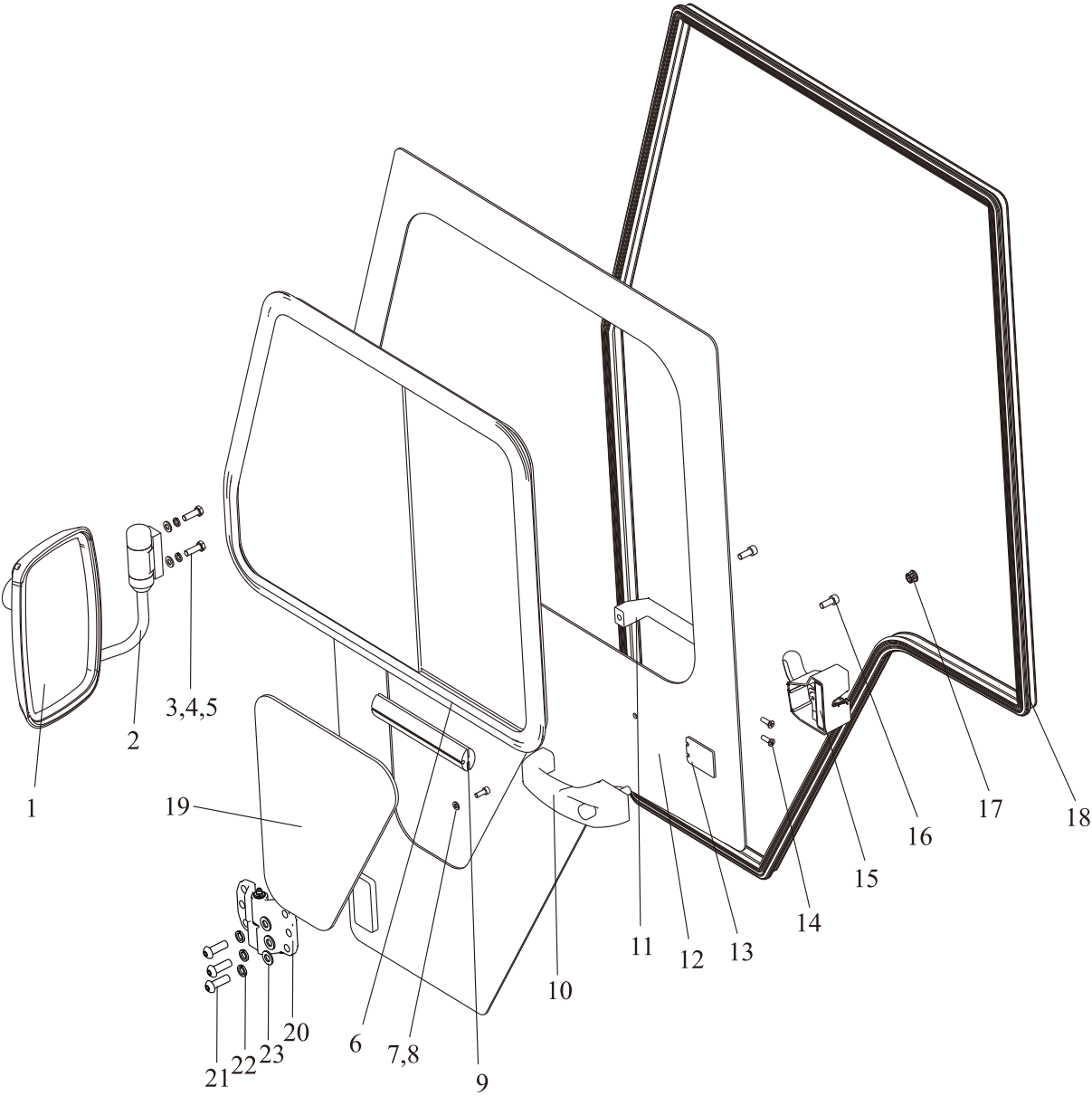




## Cab mounting

Item	Part No	Description	Q'ty	Remark
1	T20B1-42300	Top soft package	1	
2	D30D1-30004R	Rear cover	1	
3	D30D1-41610	Fan	1	
4	T20G1-40008	Rear window	1	
5	T20G1-40026	Rearview mirror stand	1	
6	D30A1-30800	Reversing mirror	1	
7	T20A1-50701	Rear light stand	1	
8	GB/T 96	12 Washer	4	
9	GB/T 93	12 Washer,lock	4	
10	GB/T 5783	M12×20 Bolt	4	
11	T20G1-40800	Rear guardrail ass'y	1	
12	D30D1-30004L	Rear cover	1	
13	T20L1-40100	Cab welding ass'y	1	
14	D30D1-40023	Three strip	3	
15	T20B1-40002	Rear window glass	2	
16	T25M1-43500	Bolt support welding	2	
17	D30D1-40017	Bump bolt	2	
18	GB/T 6170	M10 Nut	2	
19	T20L1-40200L	Left door installation	1	
20	T20H1-40006	Front glass	1	
21	T20G1-40011	Rear view mirror	1	
22	T20G1-40010	Rear view mirror plate	1	
23	T20B1-42002	I Front top cover plate	1	
24	T20B1-42600	Wiper ass'y	1	
25	D30A1-20001	Decoration cover	4	
26	T25F1-40003	Wiper bracket	1	
27	T20L1-40200R	Right door installation	1	

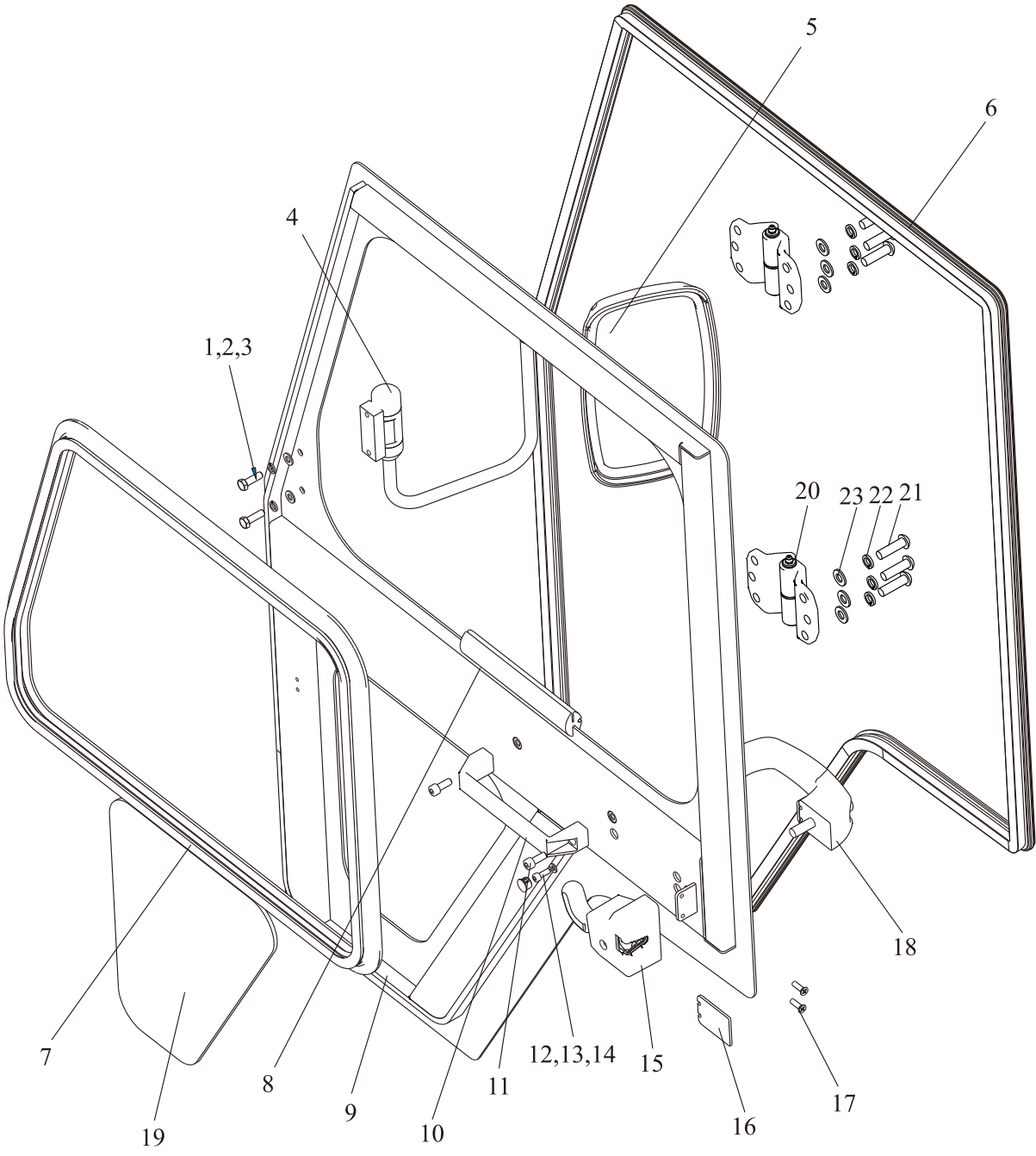
Left door installation



## Left door installation

Item	Part No	Description	Q'ty	Remark
1	T20A1-40500	Reversing mirror	1	
2	T20A1-41000	Rearview mirror stand	1	
3	GB/T 5783	M8×25 Bolt	2	
4	GB/T 93	8 Washer,lock	2	
5	GB/T 97.1	8 Washer	2	
6	T20G1-40210L	Sliding window (L)	1	
7	GB/T 97.1	6 Washer	2	
8	GB/T 70.1	M6×16 Screw	1	
9	D30D1-40023	Three strip	1	
10	T20G1-40900	Handle gp-outer	1	
11	D30T1-40003	Handle assembly	1	
12	T20L1-40210L	Left door welding	1	
13	T20G1-40910	Gasket	1	
14	GB/T819.2	M6×20 Screw	2	
15	T20G1-40400	Release ass'y	1	
16	GB/T 70.1	M8×20 Screw	2	
17	D30D1-40029	Cover	1	
18	D30D1-40019	(4625) Seal	1	
19	T20B1-40202	Foot window glass	1	
20	T20L1-40260L	Hinge ass'y L.H.	1	
21	GB/T 70.2	M10×35 Screw	6	
22	GB/T 93	10 Washer,lock	6	
23	GB/T 97.1	10 Washer	6	

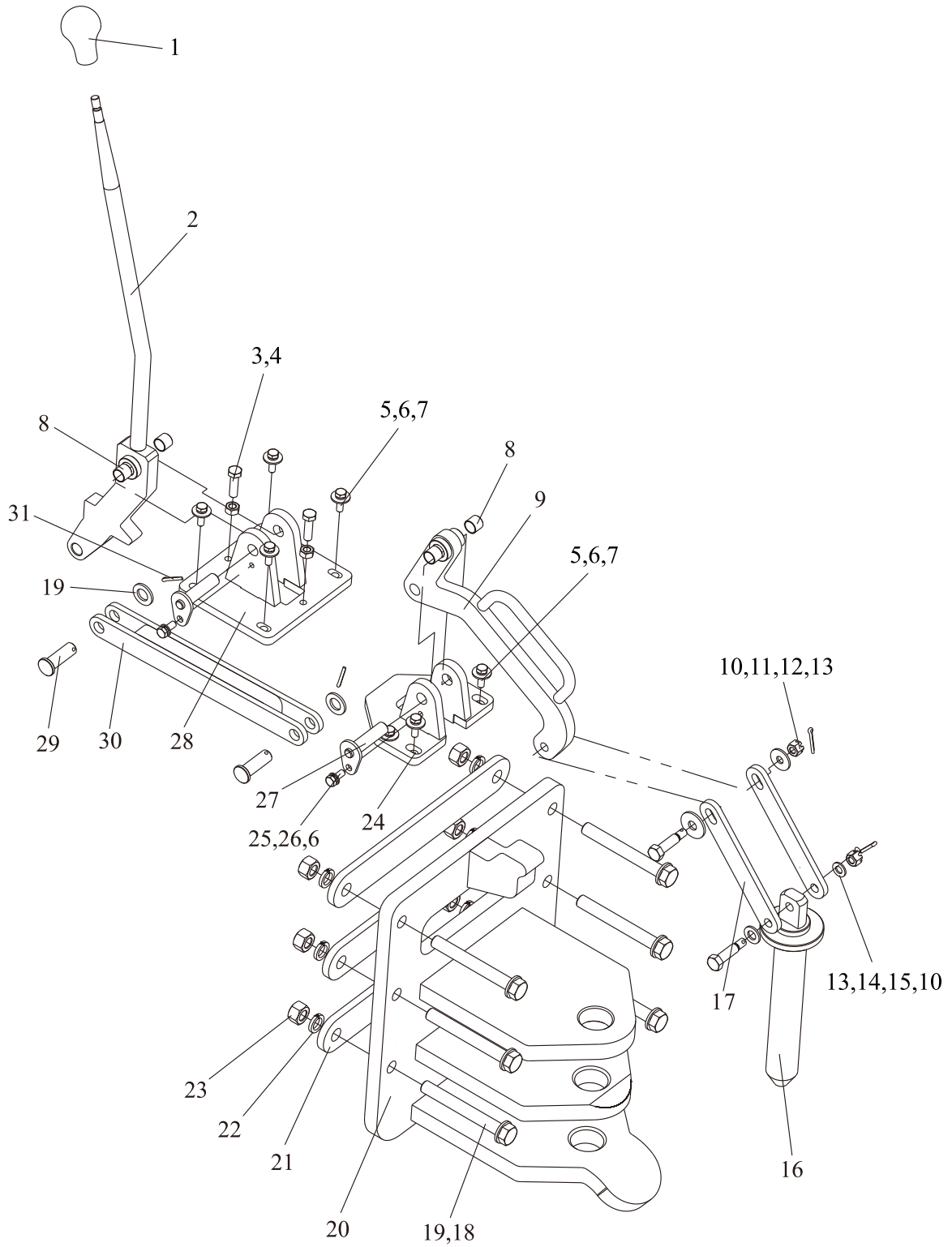
Right door installation



## Right door installation

Item	Part No	Description	Q'ty	Remark
1	GB/T 97.1	8 Washer	2	
2	GB/T 93	8 Washer,lock	2	
3	GB/T 5783	M8×25 Bolt	2	
4	T20A1-41000	Rearview mirror stand	1	
5	T20A1-40500	Reversing mirror	1	
6	D30D1-40019	(4625) Seal	1	
7	T20G1-40210R	Sliding window (Right)	1	
8	D30D1-40023	Three strip	1	
9	T20L1-40210R	Right door welding	1	
10	D30T1-40003	Handle assembly	1	
11	GB/T 70.1	M8×20 Screw	2	
12	D30D1-40029	Cover	1	
13	GB/T 70.1	M6×16 Screw	1	
14	GB/T 97.1	6 Washer	1	
15	T20G1-40300	Release ass'y (L)	1	
16	T20G1-40910	Gasket	1	
17	GB/T819.2	M6×20 Screw	2	
18	T20G1-40900	Handle gp-outer	1	
19	T20B1-40202	Foot window glass	1	
20	T20L1-40260R	Hinge ass'y R.H.	1	
21	GB/T 70.2	M10×35 Screw	6	
22	GB/T 93	10 Washer,lock	6	
23	GB/T 97.1	10 Washer	6	

# Coupling

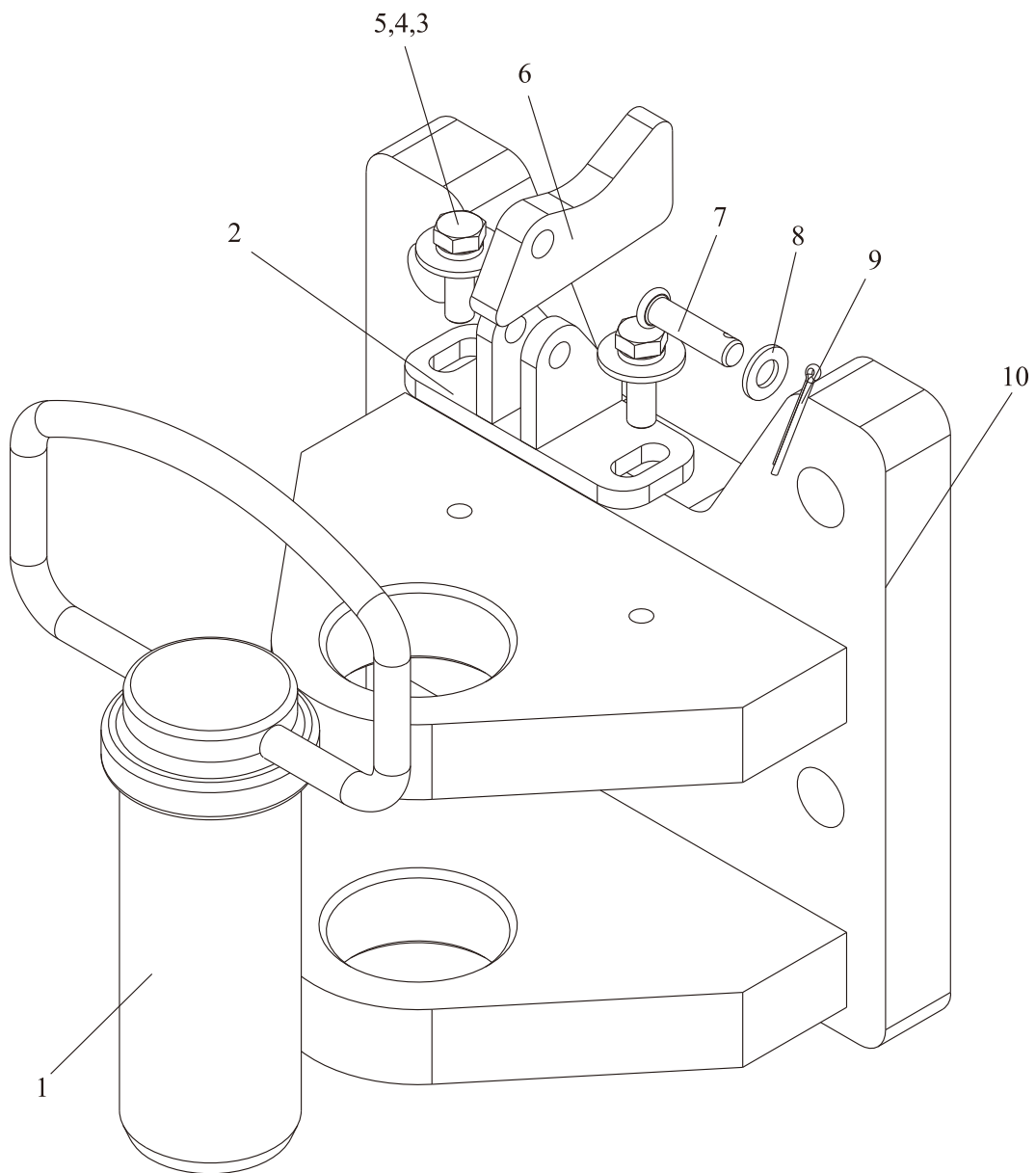


## Coupling

Item	Part No	Description	Q'ty	Remark
1	A30A5-02600	Resersing knob	1	
2	T20A1-60800	Level ass'y	1	
3	GB/T 5783	M10×35 Bolt	2	
4	GB/T 6170	M10 Nut	2	
5	GB/T 5783	M8×25 Bolt	6	
6	GB/T 93	8 Washer,lock	8	
7	GB/T 96	8 Washer	6	
8	SF1-1615	Bushing	4	
9	T20A1-60400	Portable	1	
10	GB/T 6178	M10 Nut	2	
11	GB/T 96	10 Washer	1	
12	GB/T 96	12 Washert	1	
13	T20G1-61003	Bolt	2	
14	GB/T 97.1	10 Washer	1	
15	GB/T 97.1	12 Washer	1	
16	T20A1-60001	Pin-traction	1	
17	T20A1-60003	Lower connecting plate	2	
18	GB/T 5782	M16×130 Bolt	6	
19	GB/T 97.1	16 Washer	8	
20	T20A1-60100	Mounting base assembly	1	
21	T20A1-60006	Mounting strip	3	
22	GB/T 93	16 Washer,lock	6	
23	GB/T 6170	M16 Nut	6	
24	T20A1-60500	Portable	1	
25	GB/T 97.1	8 Washer	2	
26	GB/T 5783	M8×20 Bolt	2	
27	T20A1-60300	Pin ass'y	2	
28	T20A1-60700	Level ass'y	1	
29	T20A1-60005	Pin	2	
30	T20A1-60600	Plate	1	
31	GB/T 91	4×25 Pin	4	

---

Front towing device(Optional)



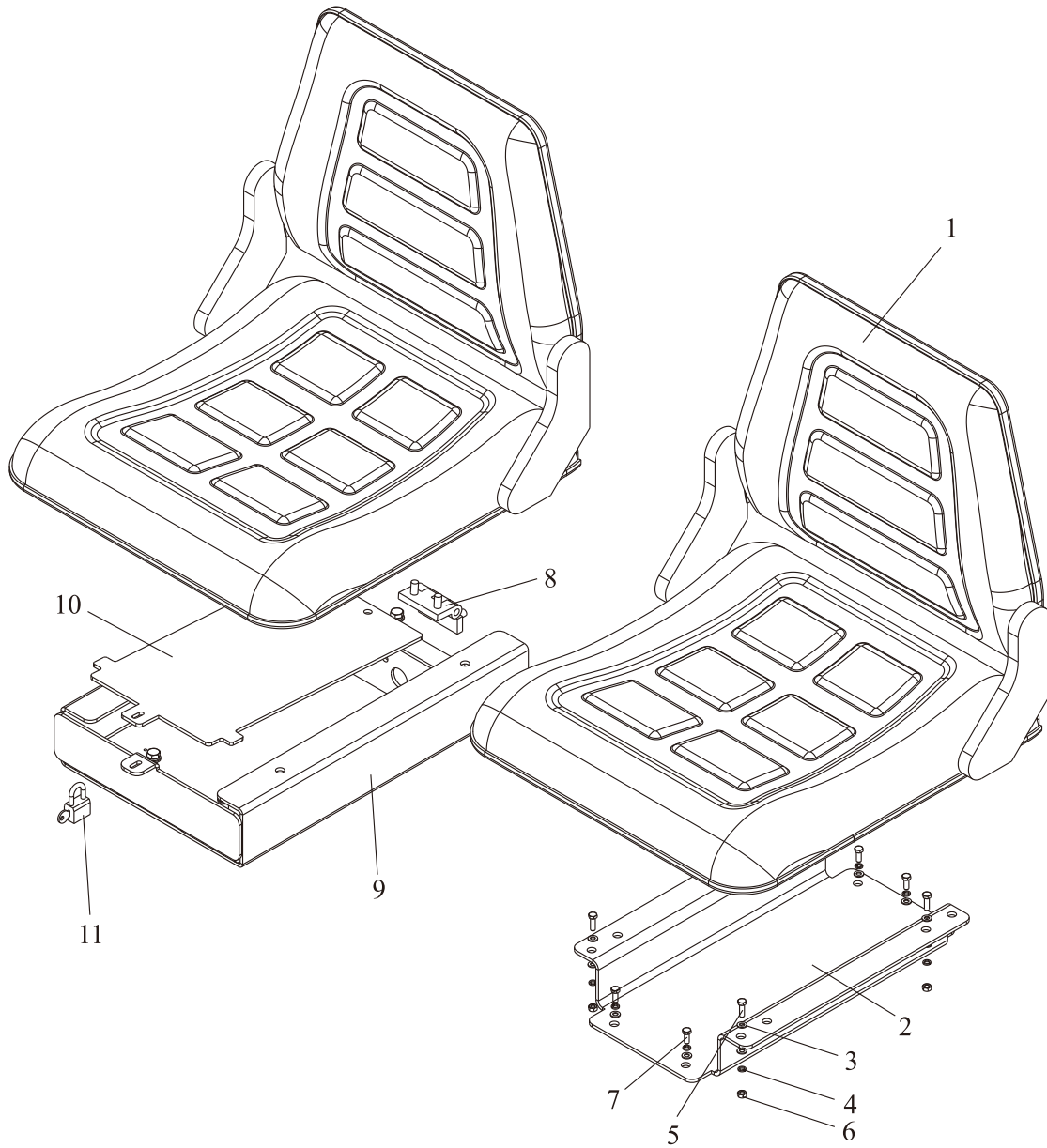


## Front towing device(Optional)

Item	Part No	Description	Q'ty	Remark
1	T20A1-60920	Front towing pin ass'y	1	
2	T20A1-60930	Adjusting base	1	
3	GB/T 5783	M8×25 Bolt	2	
4	GB/T 93	8 Washer,lock	2	
5	GB/T 96	8 Washer	2	
6	T20A1-60901	Card board	1	
7	GB/T 882	8×30 Pin	1	
8	GB/T 97.1	8 Washer	1	
9	GB/T 91	2.5×20 Pin	1	
10	T20A1-60910	Front traction base ass'y	1	

---

Seat



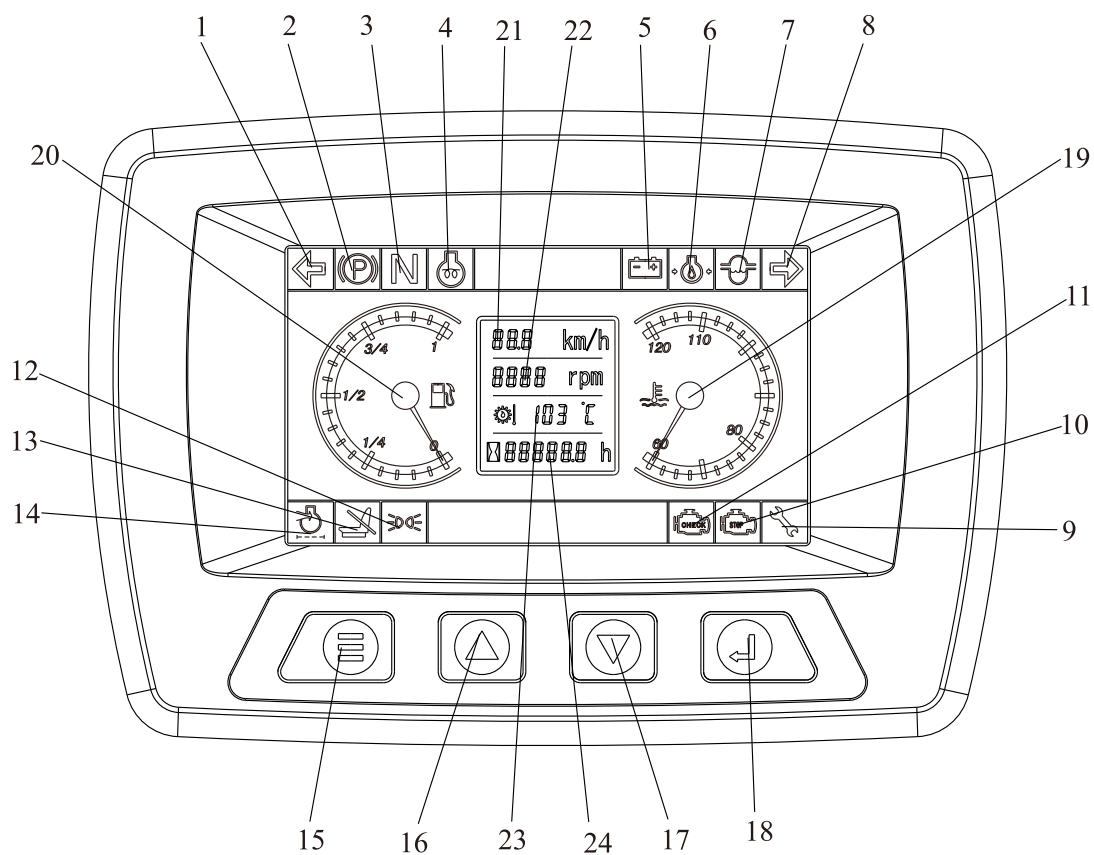
## Seat

Item	Part No	Description	Q'ty	Remark
1	A30A1-00200	Seat ass'y	2	Standard configuration
2	T20A1-00400	Bracket	1	Tachograph
-	T20A1-00400	Bracket	2	Tachograph free
-	T20A1-00006	Bracket	2	Seat height reduction
3	GB/T 97.1	8 Washer	24	
4	GB/T 93	8 Washer , lock	16	
5	GB/T 5783	M8×20 Bolt	8	
6	GB/T 6170	M8 Nut	8	
7	GB/T 5783	M8×25 Bolt	8	
8	D120A1-10003	Hinge	1	Tachograph
9	T20A1-00300	Bracket	1	Tachograph
10	T20A1-00003	I Cover plate	1	Tachograph
11	T20A1-20020	Padlock	1	Tachograph
12	T20A1-00200	(BF1-1BC) Seat ass'y	2	Assorting
13	A30A1-01700	(BF1-1BE) Seat ass'y	2	Assorting
14	A30A1-01800	(BF1-1B(E)C) Seat ass'y	2	Assorting

---

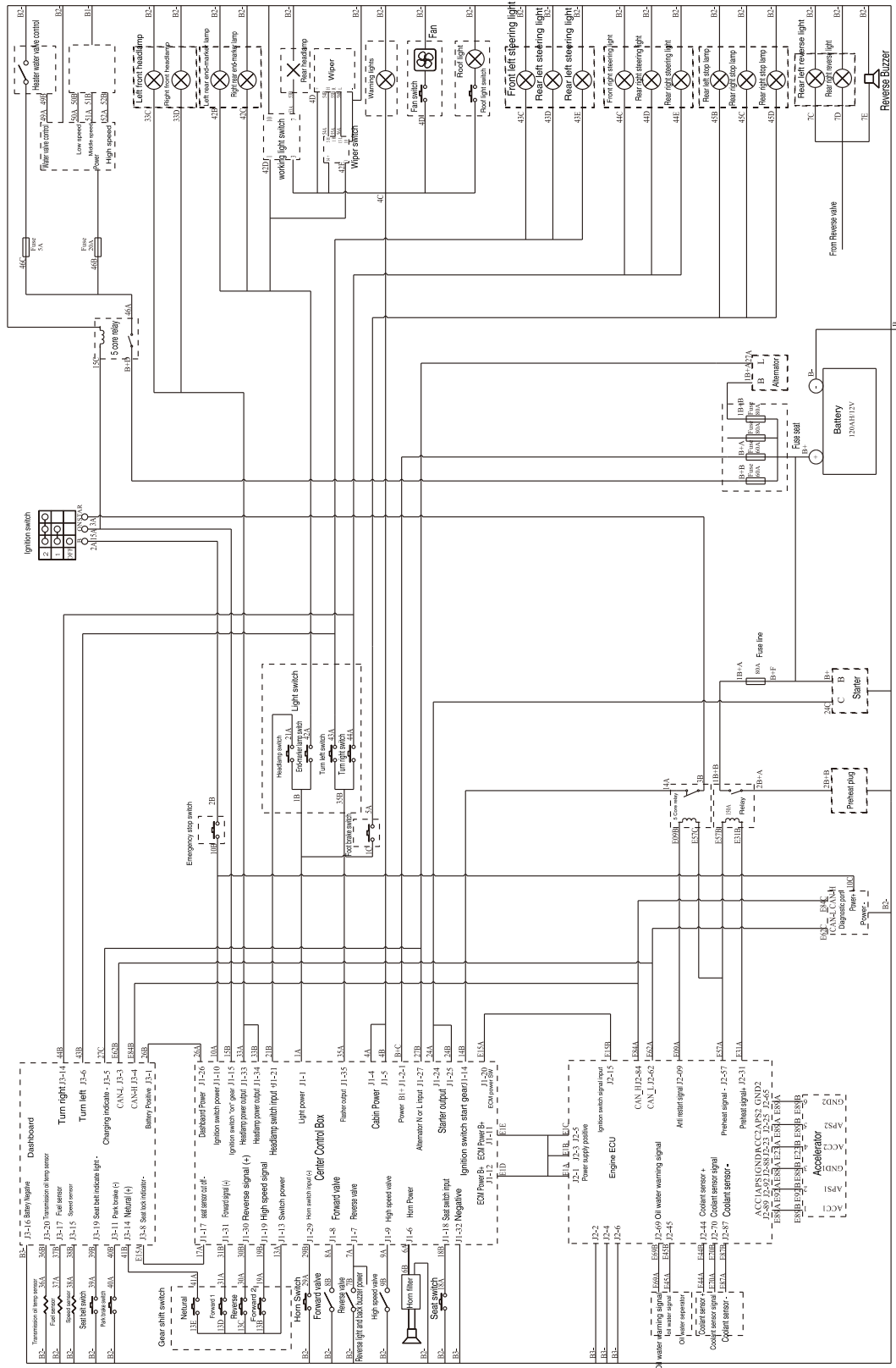
## VI、 ELECTRIC SYSTEM

## Combination meter



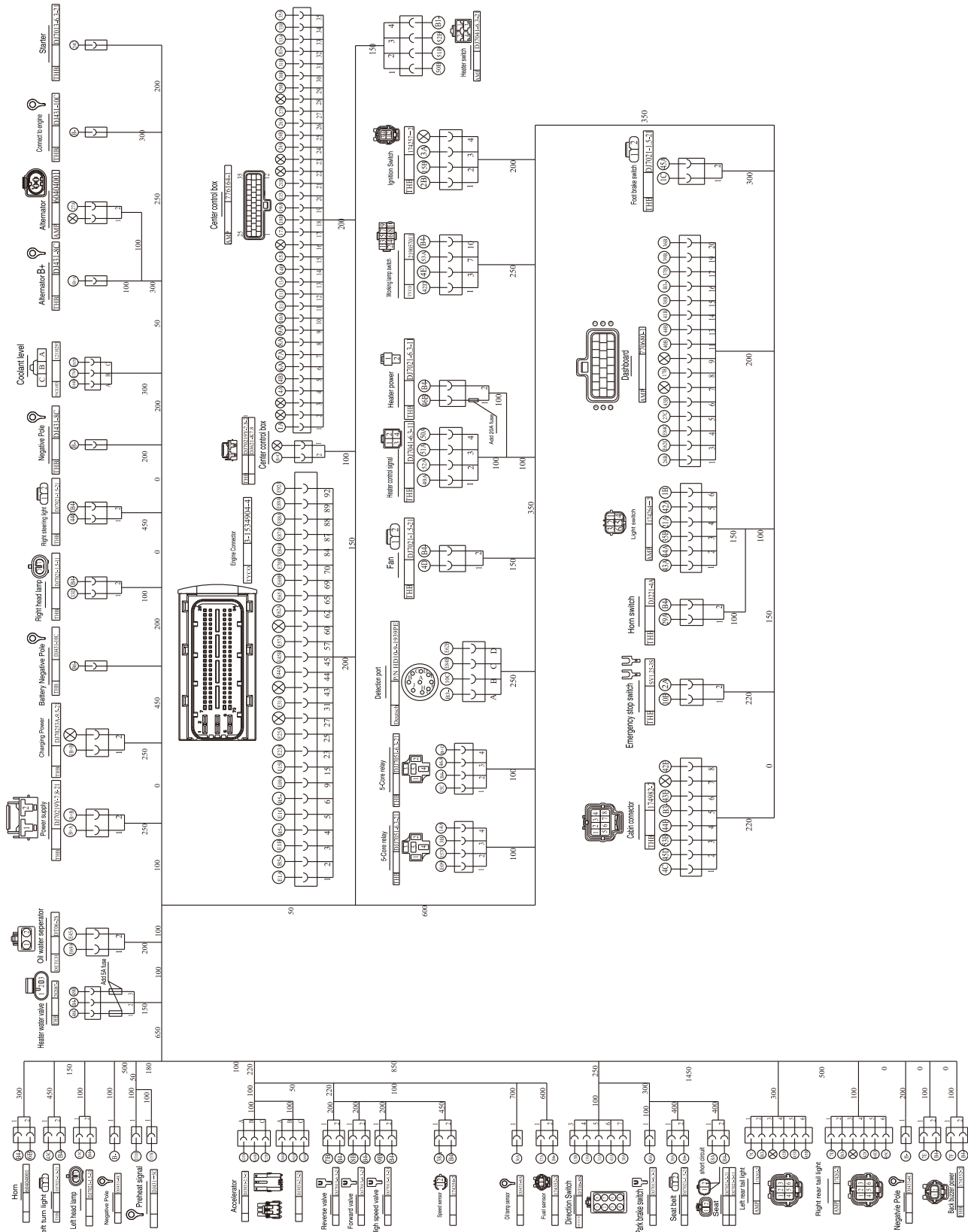
1	Turn left	13	Seat lock indicator
2	Hand brake lamp	14	Air filter alarm light
3	Neutral instructions	15	Menu button
4	Preheat instructions	16	Page up button
5	Charging instructions	17	Page down button
6	Oil pressure low alarm	18	Carriage-return button
7	Oil-water separation	19	Water temp
8	Turn right	20	Fuel meter
9	Maintenance indicator	21	Vehicle speedometer
10	Engine stop indicator	22	Engine tachometer
11	Engine malfunction indicator	23	Oil temp
12	Width lamp (optional)	24	Chronograph

# Electrical diagrams



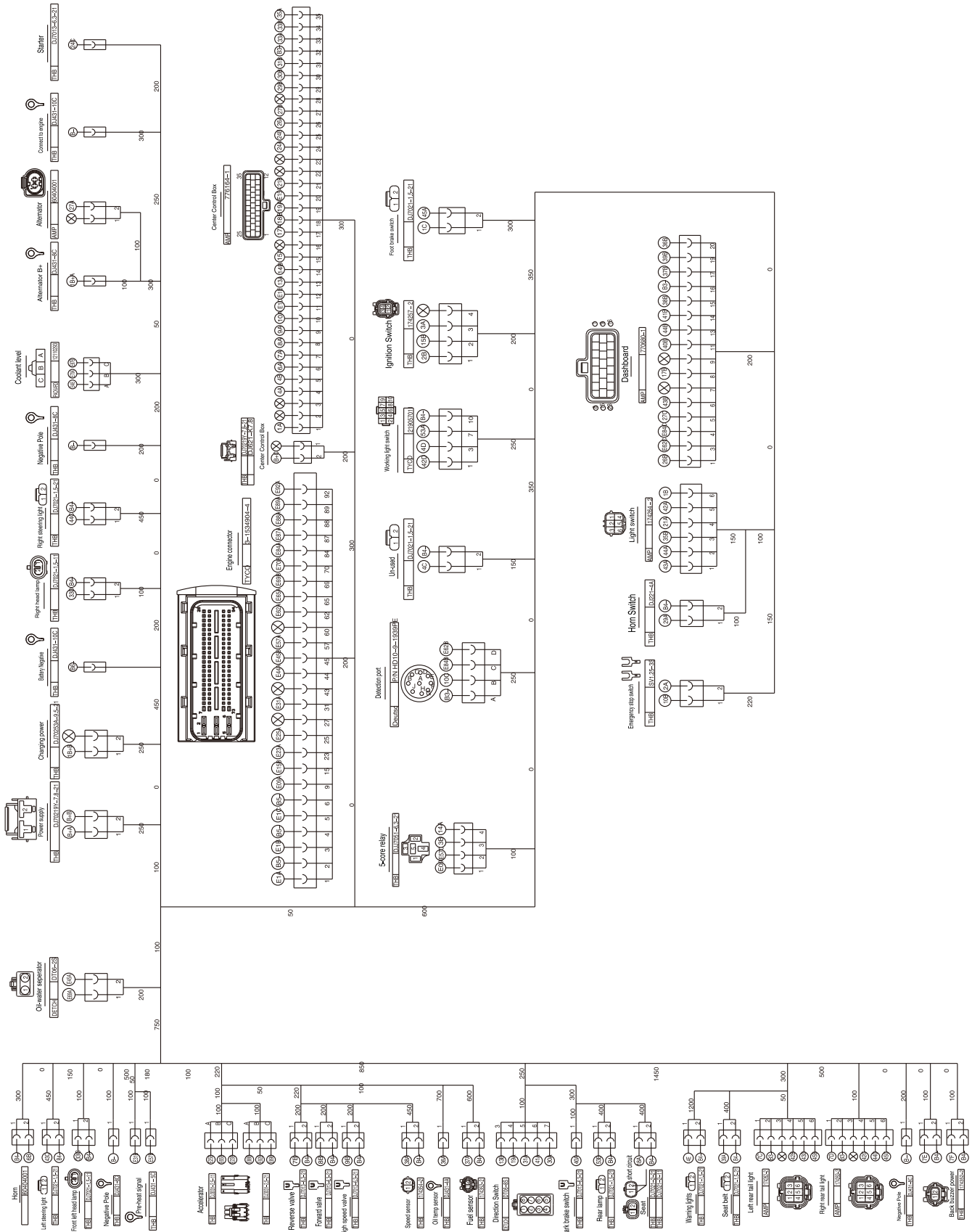
# Vehicle wiring harness

# with cab



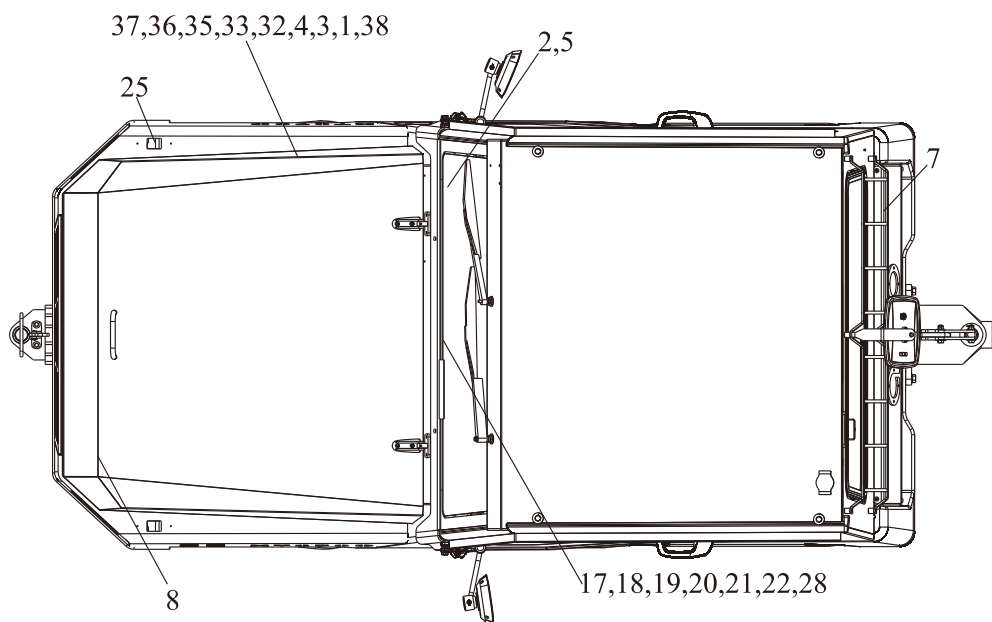
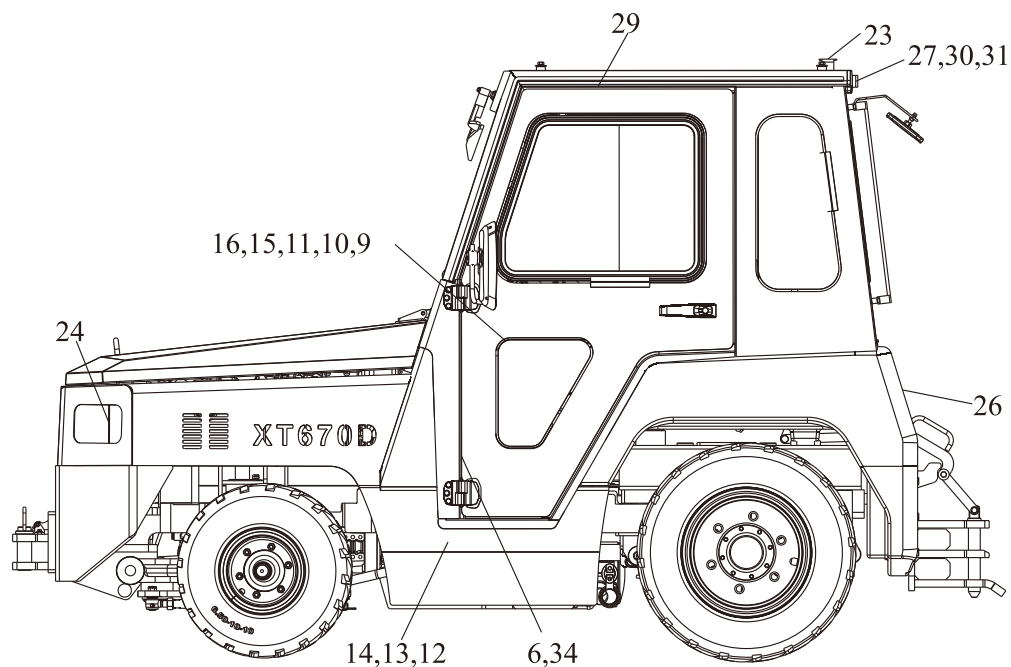
# Vehicle wiring harness

# without cab





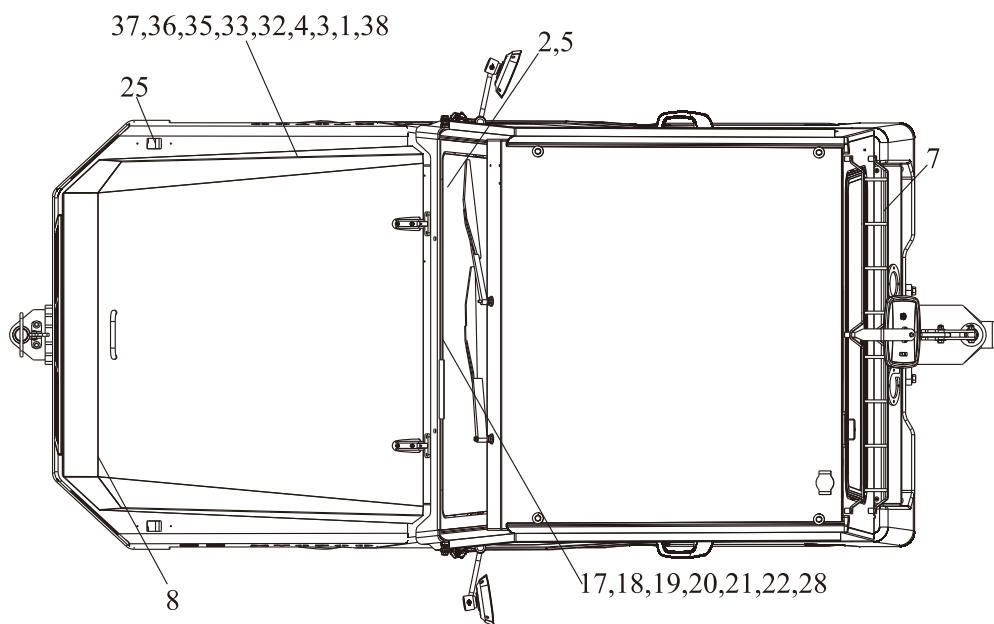
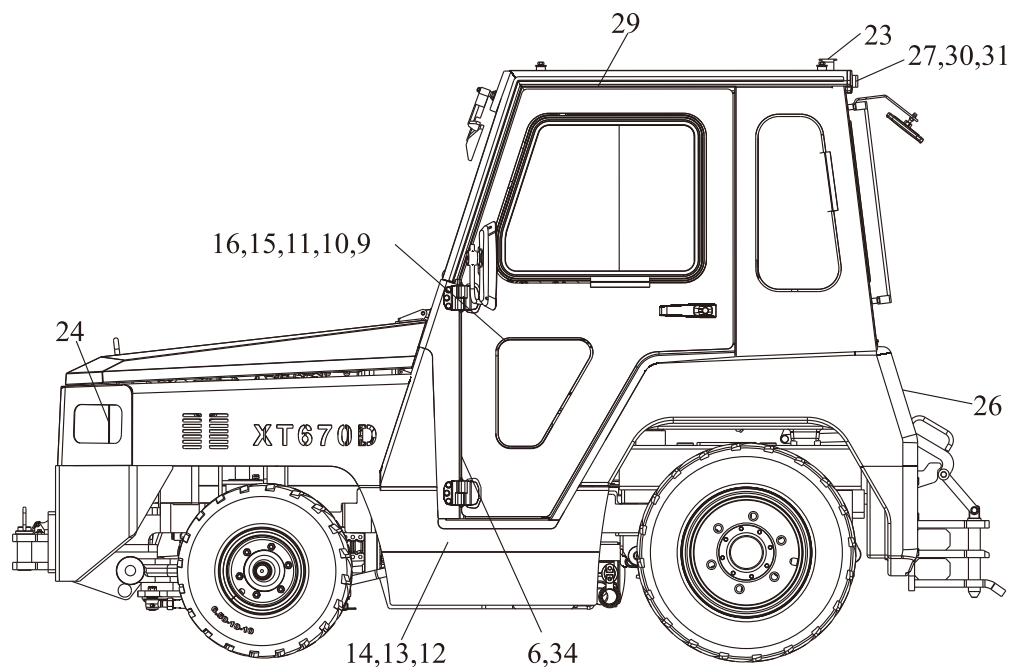
Electric system



## Electric system

Item	Part No	Description	Q'ty	Remark
1	A30BN2-20100	Battery	1	
2	T20T2-10100	Control control box	1	
3	T20T2-80300	P N pole lead cable	1	
4	T20G2-20100	P pole fuse box	1	
5	T20T2-80100	Vehicle wiring harness	1	Optional cab
-	T20T2-80400	Vehicle wiring harness	1	Convertible option
6	T20G2-60500	Footbrake switch	1	
7	A30C2-60500	Backward buzzer	1	
8	T20G2-60800	Snail electric horn	1	
9	T20G2-60400	Shift handle	1	
10	T20G2-60600	Special lighting combination	1	
11	T20J2-70200(L)	Meter	1	
12	T20A2-50500	Oil temperature sensor	1	
13	T20G2-50100	Fuel sensor	1	
14	T20KL2-50100	Rotation speed sensor	1	
15	T20L2-60201	Key switch	1	
16	B80J2-60100	Emergency stop switch	1	
17	B80J2-60101	Emergency stop switch label	1	
18	T25C2-60400	Working light switch	1	
19	B80C2-60502	Border	2	
20	B80C2-60503	Middle box	1	
21	B80C2-60501	Blocking cover	1	Optional cab
-	B80C2-60501	Blocking cover	2	Convertible option
22	T20L2-80900	Cab harness	1	Optional cab
23	T25E2-40300	Aeronautical obstacle light	1	
24	T20A2-40600	Dipped light	2	
25	T20A2-41100	Side turn signal	2	
26	T20G2-40300	Three color tail lamp	2	
27	T20G2-40100	Rear light	1	
28	T25C2-60200	Start switch	1	Optional cab

# Electric system



## Electric system

Item	Part No	Description	Q'ty	Remark
29	T20A2-41000	Interior light	1	Optional cab
30	T20G2-40200	High mounted turn signal	2	Optional cab
31	T20A2-40900	High-mount stop lamp	1	Optional cab
32	A30AB2-60200	Preheating relay	1	
33	T20G2-80304	Five-pin relay	2	Convertible option
-	T20G2-80304	Five-pin relay	1	Convertible option
34	A30AB2-60100	Accelerator	1	
35	A160G2-10200	Fuse box	1	
36	T20T2-80200	Preheat	1	
37	B80J2-50100	TABP Sensor	1	
38	A45P2-50100	Water level sensor	1	



**NO:B001**

**2023.12**